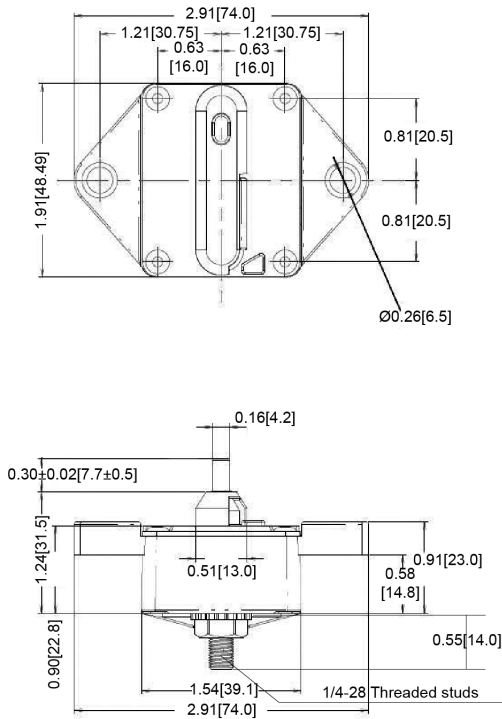


# High Amperage Heavy Duty Circuit Breaker

143



## Mechanical Dimensions: Inches [mm]

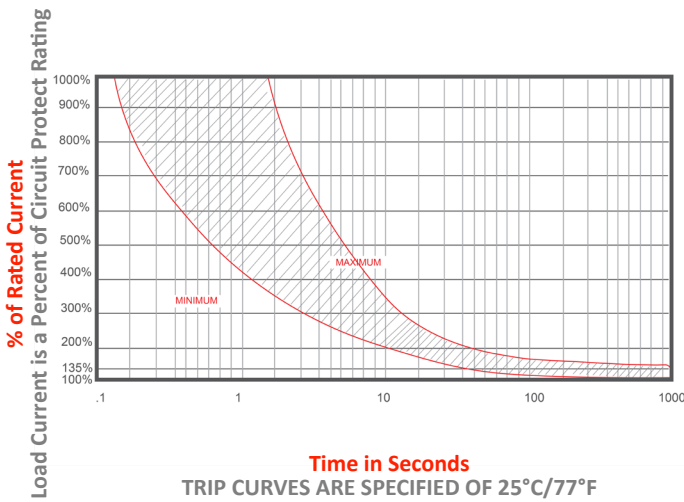


Unless Otherwise Specified All Dimensions Have a Tolerance of ±.008in (0.2mm)

## Part Numbers Information

Optifuse P/N	Current
143025	25A
143030	30A
143040	40A
143050	50A
143060	60A
143070	70A
143080	80A
143090	90A
143100	100A
143120	120A
143135	135A
143150	150A
143180	180A
143200	200A

## Time vs. Percent of Rated Current



% of Rated Current	Min Hold Time	Max Hold Time
100%	No Trip ( ≥ 30 Minutes)	
135%	50s	30m
200%	12s	45s
300%	3.5s	15s

Trip time: Ambient temperature 25°C ± 3°C

## Electrical Specifications

Voltage Rating	42VDC
Reset Type	Type III - Manual Reset
Interrupting Rating	3000A @ 30VDC (ABYC E-11)
Operation Temperature	-25 °F ~ 180 °F   -32 °C ~ 82 °C
Testing	SAE J553, IEC 60934

## Material Specifications

Heavy Duty High Amp - Waterproof Circuit Breaker	
Body Material	Thermoset Plastic (UL94V-0)
Terminals Material	Nickel Plated
Terminals Configuration	1/4"-28 Stud
Studs Torque	10.3 N.m max.
Mounting Type	Panel Mount
Ignition Protected	SAE J1171
Ingress Protection	IP67

# High Amperage Heavy Duty Circuit Breaker

143



Rev	Date of issue	Revision Notes	Designed	Approved
D	08-20-2024	Updated Electrical Specifications	RC	OF