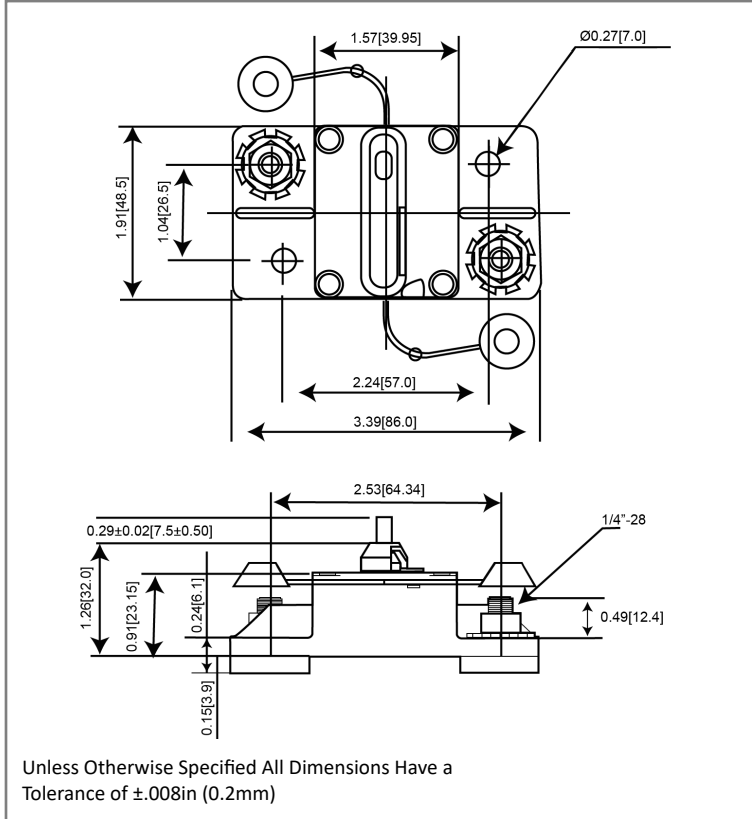


# High Amperage Heavy Duty Circuit Breaker

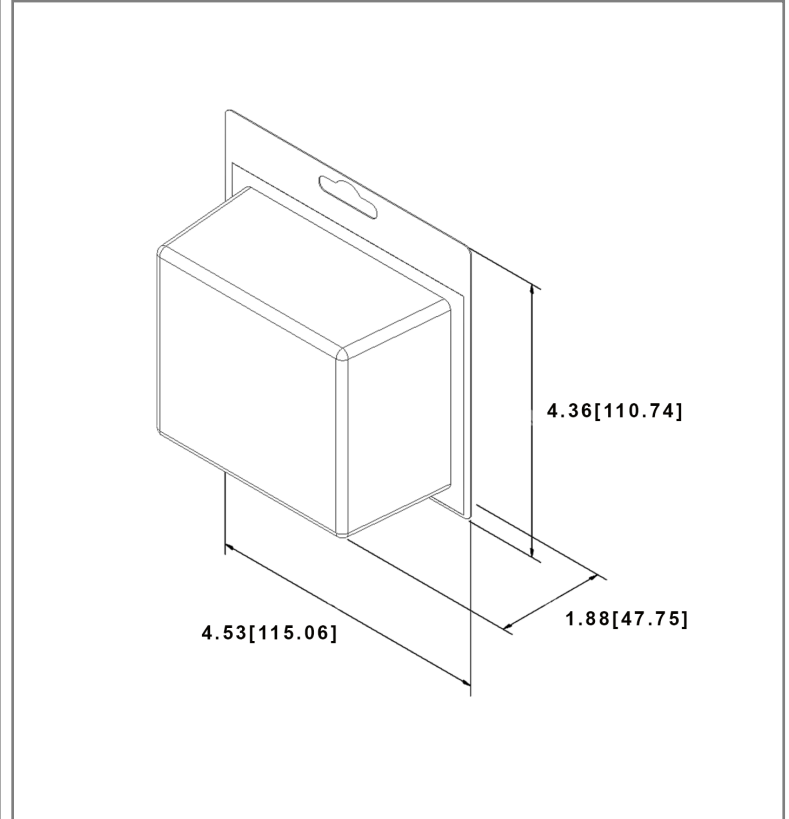
253



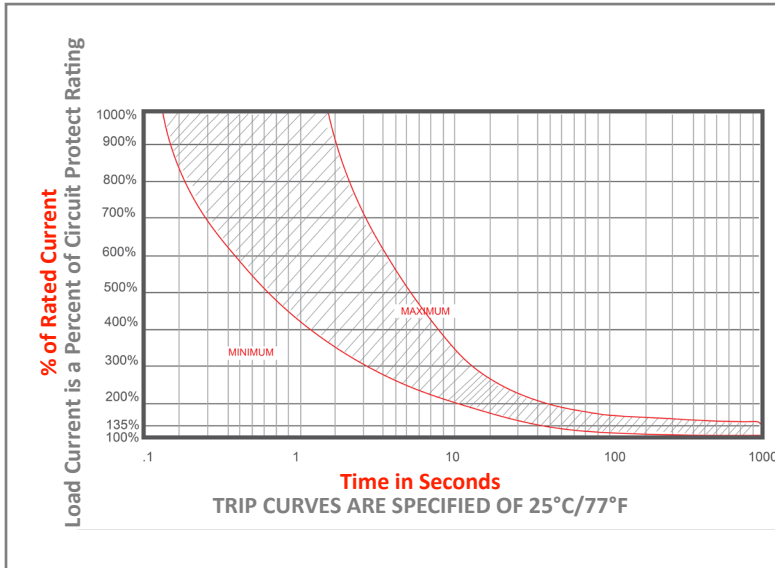
## Mechanical Dimensions: Inches [mm]



## Retail Pack: Inches [mm]



## Time vs. Percent of Rated Current



% of Rated Current	Min Hold Time	Max Hold Time
100%	No Trip ( $\geq 30$ Minutes)	
135%	50s	30m
200%	12s	45s
300%	3.5s	15s

**Trip time:** Ambient temperature  $25^{\circ}\text{C} \pm 3^{\circ}\text{C}$   
 \*Trip time information is only for models up to 200A.  
 For information regarding 250A model please contact the factory.

## Electrical Specifications

<b>Voltage Rating</b>	48VDC
<b>Reset Type</b>	Type III - Manual Reset
<b>Interrupting Rating</b>	3000A @ 30VDC (25A-150A), 1500A @ 30VDC (175A-200A) (ABYC E-11)
<b>Operation Temperature</b>	$-25^{\circ}\text{F} \sim 180^{\circ}\text{F}$   $-32^{\circ}\text{C} \sim 82^{\circ}\text{C}$
<b>Testing</b>	SAE J553, ABYC-E11, UL1077

## Material Specifications

Heavy Duty High Amp - Waterproof Circuit Breaker	
<b>Body Material</b>	Thermoset Plastic (UL94V-0)
<b>Terminals Material</b>	Nickel Plated
<b>Terminals Configuration</b>	1/4"-28 Stud
<b>Mounting Type</b>	Surface Mount
<b>Studs Torque</b>	10.3 N.m max.
<b>Mounting Torque</b>	$\sim 13.6$ N-m MAX
<b>Ignition Protected</b>	SAE J1171
<b>Ingress Protection</b>	IP67

## Part Numbers Information

Amperage	Bulk Part #	Retail Pack # Blister Card	Pack Size
25A	253025	253025-BP	1
30A	253030	253030-BP	1
40A	253040	253040-BP	1
50A	253050	253050-BP	1
60A	253060	253060-BP	1
70A	253070	253070-BP	1
80A	253080	253080-BP	1
90A	253090	253090-BP	1
100A	253100	253100-BP	1
120A	253120	253120-BP	1
135A	253135	253135-BP	1
140A	253140	253140-BP	1
150A	253150	253150-BP	1
175A	253175	253175-BP	1
200A	253200	253200-BP	1
250A	253250	253250-BP	1

Rev	Date of issue	Revision Notes	Designed	Approved
H	08-20-2024	Updated Electrical Specifications	RC	OF