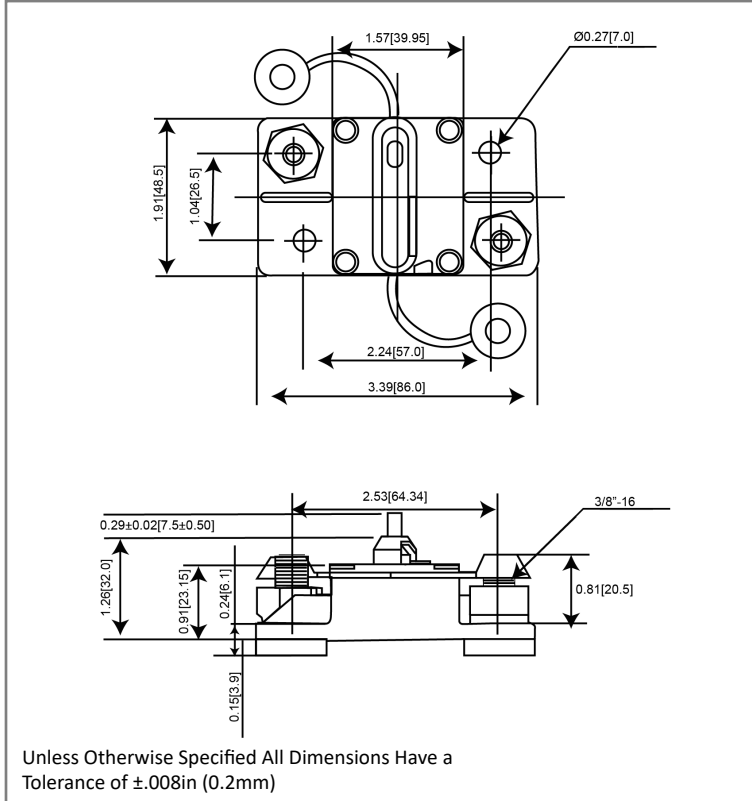
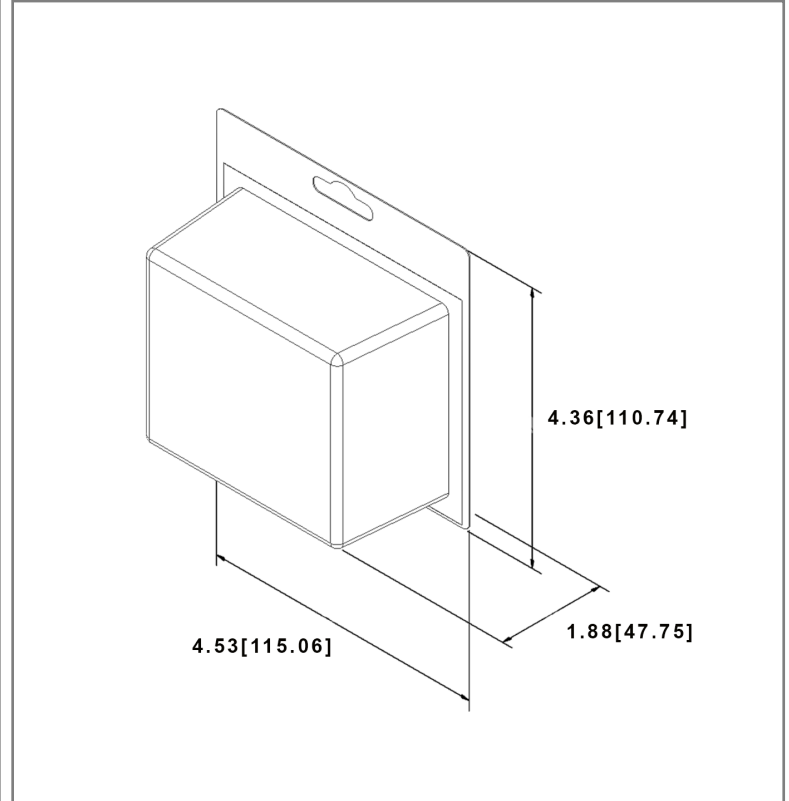


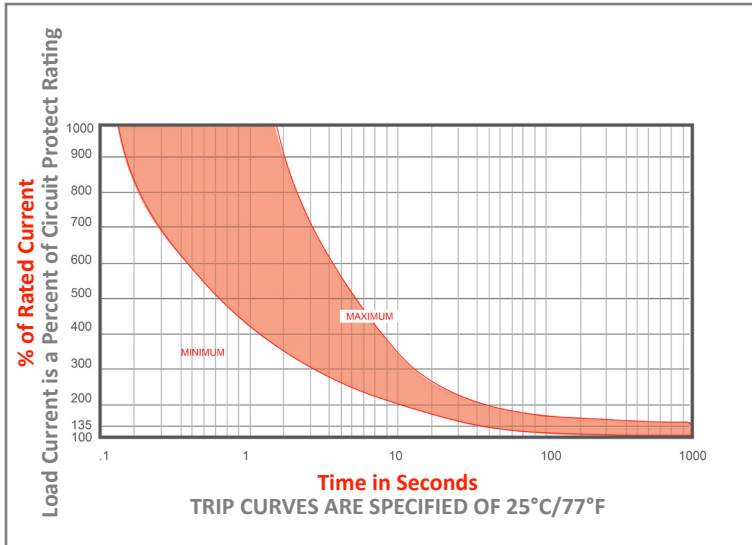
Mechanical Dimensions: Inches [mm]



Retail Pack: Inches [mm]



Time vs. Percent of Rated Current



% of Rated Current	Min Hold Time	Max Hold Time
100%	No Trip (≥ 30 Minutes)	
135%	50s	30m
200%	12s	45s
300%	3.5s	15s

Trip time: Ambient temperature $25^{\circ}\text{C} \pm 3^{\circ}\text{C}$

Electrical Specifications

Voltage Rating	48VDC
Reset Type	Type III - Manual Reset
Interrupting Rating	3000A @ 30VDC (25A-150A), 1500A @ 30VDC (175A-300A) (ABYC E-11)
Operation Temperature	-25 °F ~ 180 °F -32 °C ~ 82 °C
Testing	SAE J1625, ABYC-E11

Material Specifications

Heavy Duty High Amp - Waterproof Circuit Breaker	
Body Material	Thermoset Plastic (UL94V-0)
Terminals Material	Nickel Plated
Terminals Configuration	3/8"-16 Stud
Mounting Type	Surface Mount
Studs Torque	30.5 N.m max.
Mounting Torque	~24 N-m MAX
Ignition Protected	SAE J1171
Ingress Protection	IP67

Part Numbers Information

Amperage	Bulk Part #	Retail Pack # Blister Card	Pack Size
25A	353025	353025-BP	1
30A	353030	353030-BP	1
40A	353040	353040-BP	1
50A	353050	353050-BP	1
60A	353060	353060-BP	1
70A	353070	353070-BP	1
80A	353080	353080-BP	1
90A	353090	353090-BP	1
100A	353100	353100-BP	1
120A	353120	353120-BP	1
135A	353135	353135-BP	1
140A	353140	353140-BP	1
150A	353150	353150-BP	1
180A	353180	353180-BP	1
200A	353200	353200-BP	1
250A	353250	353250-BP	1
300A	353300	353300-BP	1

Rev Date of issue Revision Notes

Designed Approved

F	03-27-2024	Added packaging info	RC	OF
---	------------	----------------------	----	----