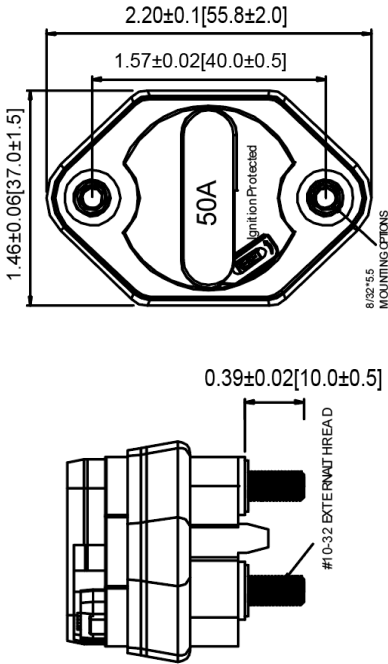


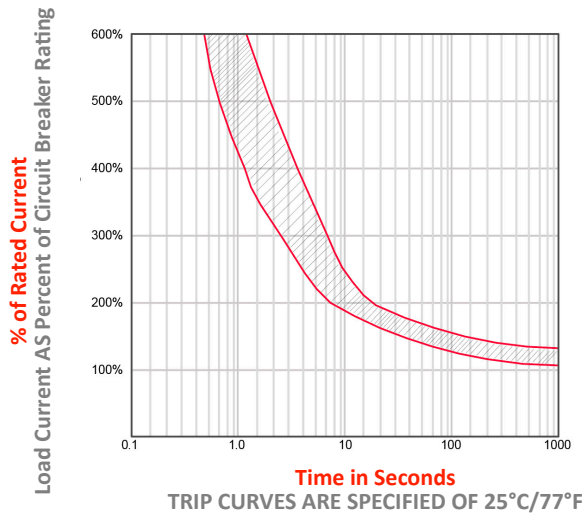
Mechanical Dimensions: Inches [mm]



Part Numbers Information

Optifuse P/N	Current
642010	10A
642015	15A
642020	20A
642025	25A
642030	30A
642035	35A
642040	40A
642050	50A
642060	60A

Time vs. Percent of Rated Current



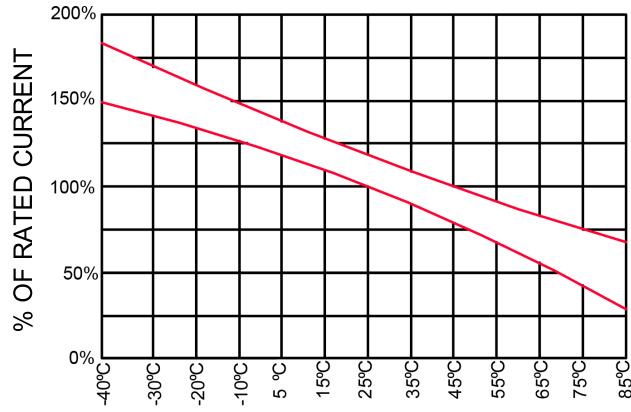
Electrical Specifications

Voltage Rating	32VDC
Reset Type	Type III - Manual Reset
Interrupting Rating	2500A @ 32VDC (ABYC E-11)
Operation Temperature	-40° F ~ 185° F
Testing	SAE J553, ABYC E-11

Material Specifications

Mid-Range - Waterproof Circuit Breaker	
Terminals Configuration	#10-32 Stud
Studs Torque	2.8 N.m max.
Mounting Torque	0.78 N.m max.
Mounting Type	Panel Mount
Ignition Protected	SAE J1171 Waterproof IP66

Temperature Derating Curve



Rev	Date of issue	Revision Notes	Designed	Approved
B	08-22-2023	added mounting torque ratings	RC	OF