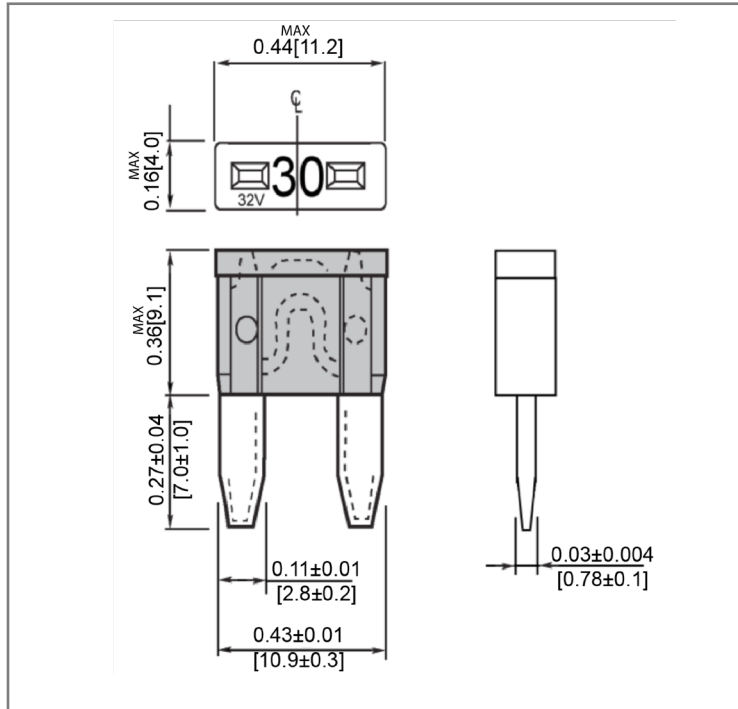
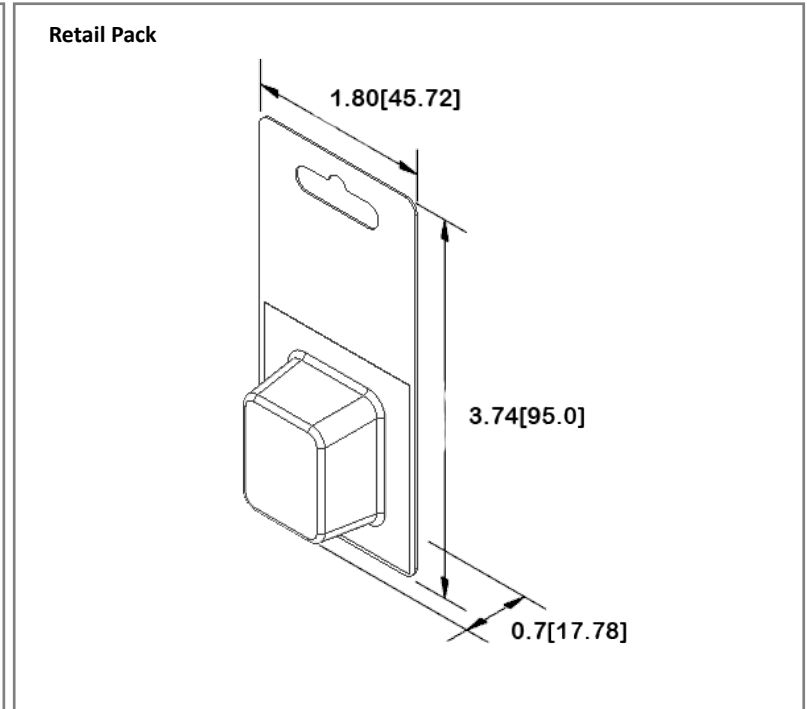


Mechanical Dimensions: Inches [mm]



Retail Pack: Inches [mm]



Part Numbers Information

Amperage	Body Color	Bulk Part #	Retail Pack # Blister Card	Pack Size
2A	Gray	ANM-I-2A	-	-
3A	Violet	ANM-I-3A	ANM-I-3A-BP	2
4A	Pink	ANM-I-4A	-	-
5A	Tan	ANM-I-5A	ANM-I-5A-BP	2
7.5A	Brown	ANM-I-7.5A	ANM-I-7.5A-BP	2
10A	Red	ANM-I-10A	ANM-I-10A-BP	2
15A	Blue	ANM-I-15A	ANM-I-15A-BP	2
20A	Yellow	ANM-I-20A	ANM-I-20A-BP	2
25A	Clear	ANM-I-25A	ANM-I-25A-BP	2
30A	Green	ANM-I-30A	ANM-I-30A-BP	2

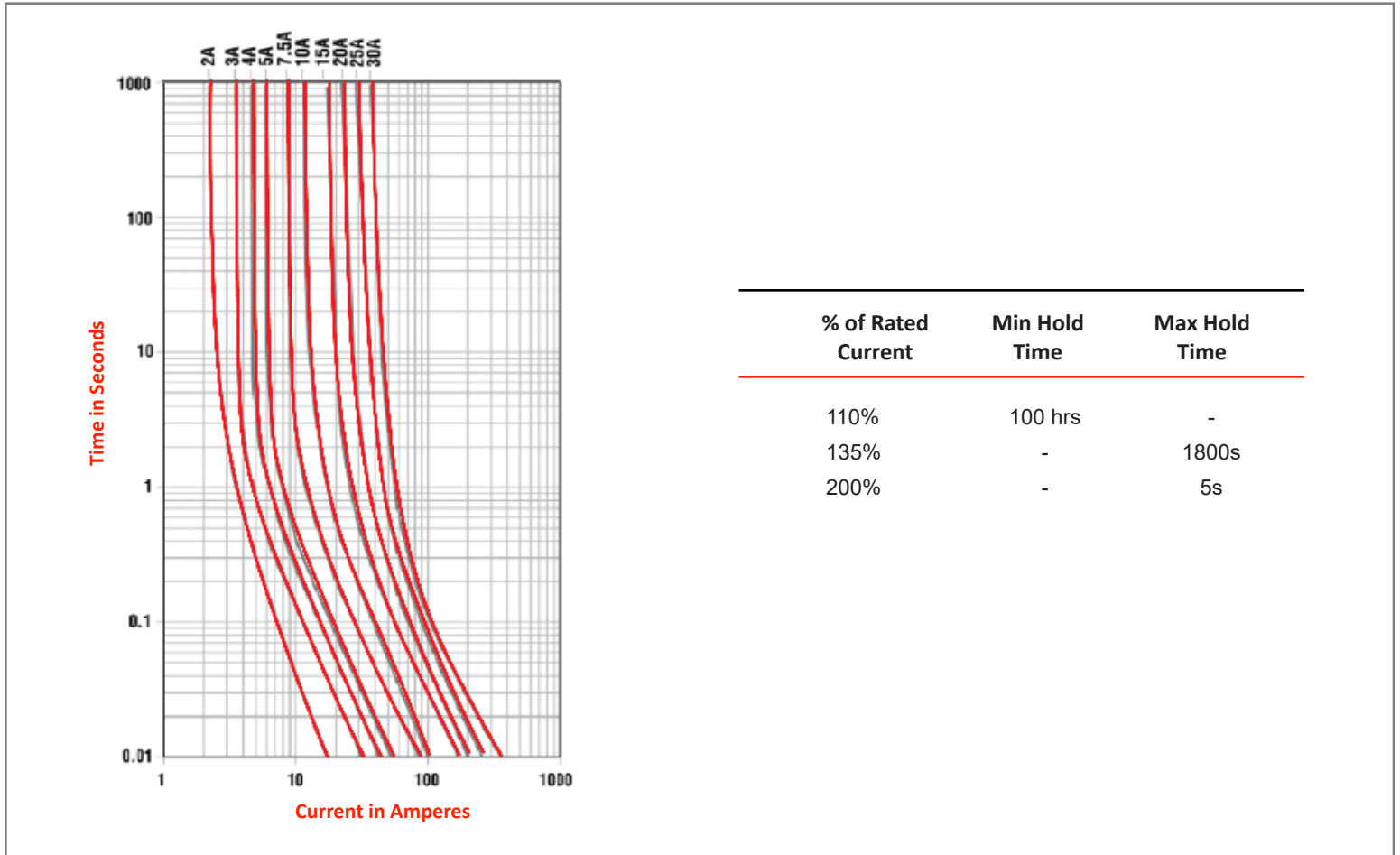
Electrical Specifications

Voltage Rating	32V DC
Interrupting Rating	1000A @ 32 VDC
Testing	SAE J2077; ISO 8820-3

Material Specifications

	Indicating LED when fuse is opened
Body	PA 66
Terminals	Zinc Alloy

Time vs. Percent of Rated Current



% of Rated Current	Min Hold Time	Max Hold Time
--------------------	---------------	---------------

110%	100 hrs	-
135%	-	1800s
200%	-	5s

Rev Date of issue Revision Notes

Designed Approved

B	07-19-2024	Updated Testing Information	RC	OF
---	------------	-----------------------------	----	----