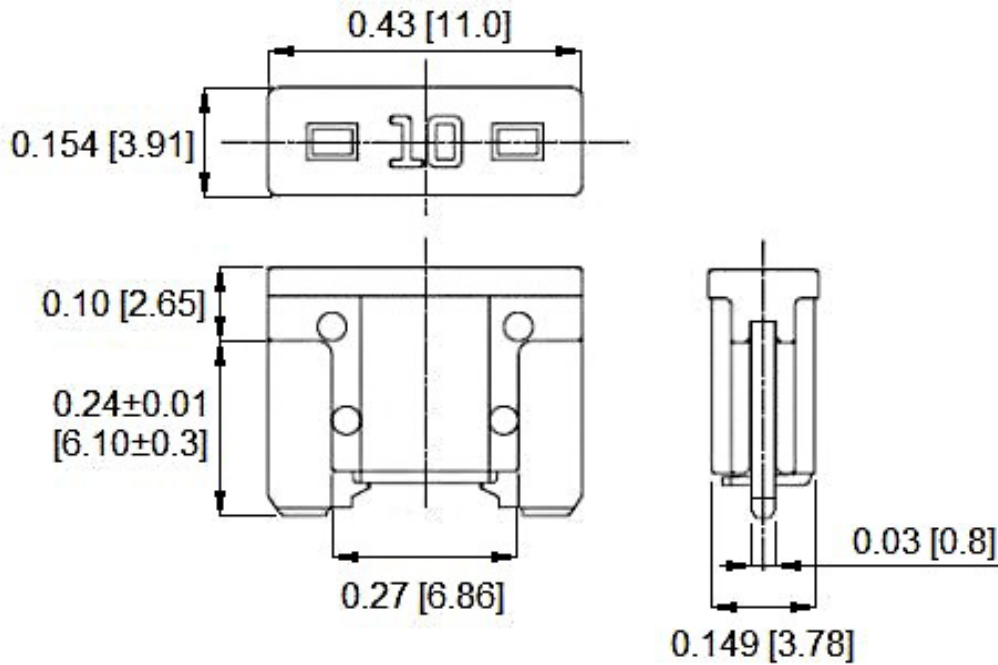


Mechanical Dimensions: Inches [mm]

Tolerances ± 0.012 [0.3] Unless Otherwise Specified



Part Numbers Information

Amperage	Body Color	Bulk Part #
3A	Violet	ANS-3A
4A	Pink	ANS-4A
5A	Tan	ANS-5A
7.5A	Brown	ANS-7.5A
10A	Red	ANS-10A
15A	Blue	ANS-15A
20A	Yellow	ANS-20A
25A	Clear/White	ANS-25A
30A	Green	ANS-30A

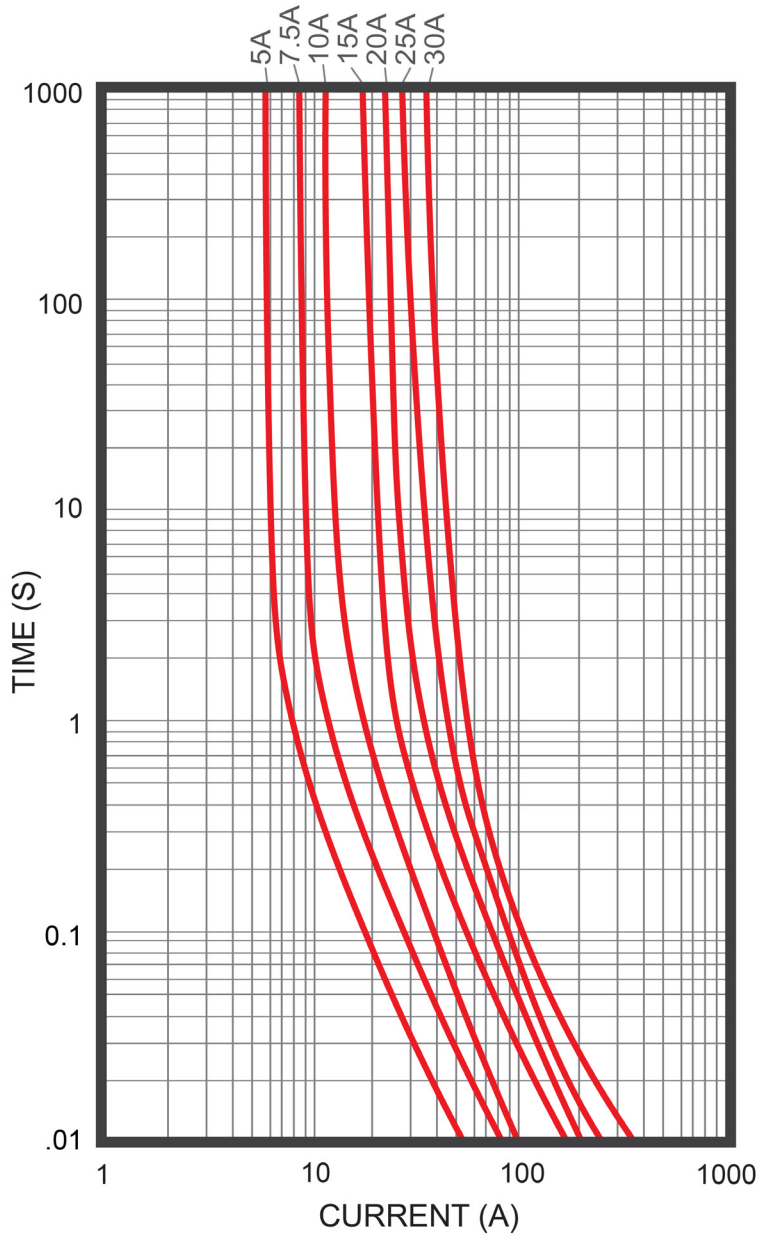
Electrical Specifications

Voltage Rating	32VDC
Interrupting Rating	1000A @ 32VDC
Standards	US
Designed to meet SAE J2077 Standards	

Material Specifications

Body Material	PA66
Terminal Material	Zinc Alloy

Time vs Percent of Rated Current



% of Rated Current	Min Hold Time	Max Hold Time
110%	100h	~
135%	~	1800s
200%	~	5s

Rev Date of issue Revision Notes

Designed Approved

B	03-17-2025	Initial Drawing	RC	OF
---	------------	-----------------	----	----