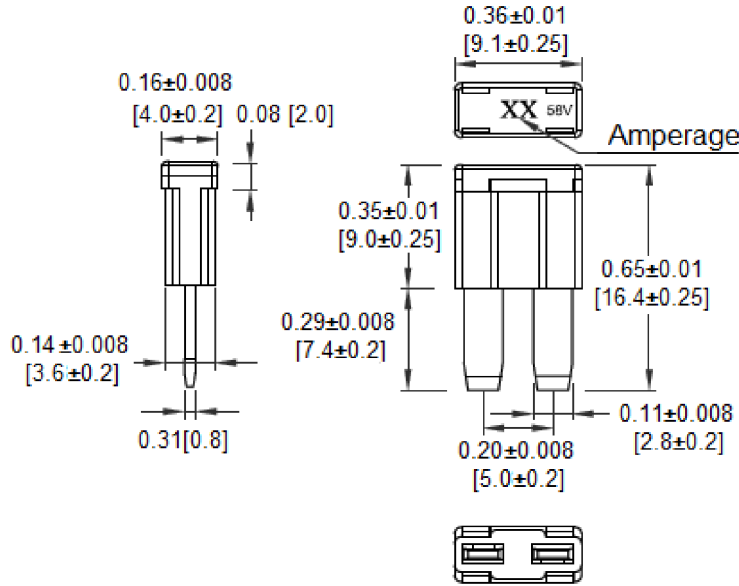


Mechanical Dimensions: Inches [mm]

Tolerances ± 0.012 [0.3] Unless Otherwise Specified



Part Numbers Information

Amperage	Body Color	Bulk Part #
1A	Black	ANT58-1A
2A	Gray	ANT58-2A
3A	Violet	ANT58-3A
4A	Pink	ANT58-4A
5A	Tan	ANT58-5A
7.5A	Brown	ANT58-7.5A
10A	Red	ANT58-10A
15A	Blue	ANT58-15A
20A	Yellow	ANT58-20A

Electrical Specifications

Voltage Rating	58VDC
Interrupting Rating	1000A @ 32VDC

Material Specifications

Body Material	Nylon with 25% Fiberglass
Cap Material	Nylon with 25% Fiberglass, Blue
Terminal Material	Copper Alloy, Tin Plated

Time vs Percent of Rated Current

% of Rated Current	Min Hold Time	Max Hold Time
110%	100h	~
135%	750ms	1800s
200%	150ms	30s
350%	40ms	500ms
600%	10ms	100ms

Rev Date of issue Revision Notes

Designed Approved

B	03-18-2025	Initial Drawing	RC	OF
---	------------	-----------------	----	----