

Type BLA-25

Fuse Block w/ Indicating Cover

For 1/4" x 1 1/4" (3AG) Fuses



www.optifuse.com

(619)-593-5050

Fuse Style: 1/4" x 1 1/4" (3AG) Fuses

Specifications:

Rating: See Table

Material:

Body: PBT (UL Flame: 94V-0)

Cap: Polycarbonate (UL Flame: 94V-2)

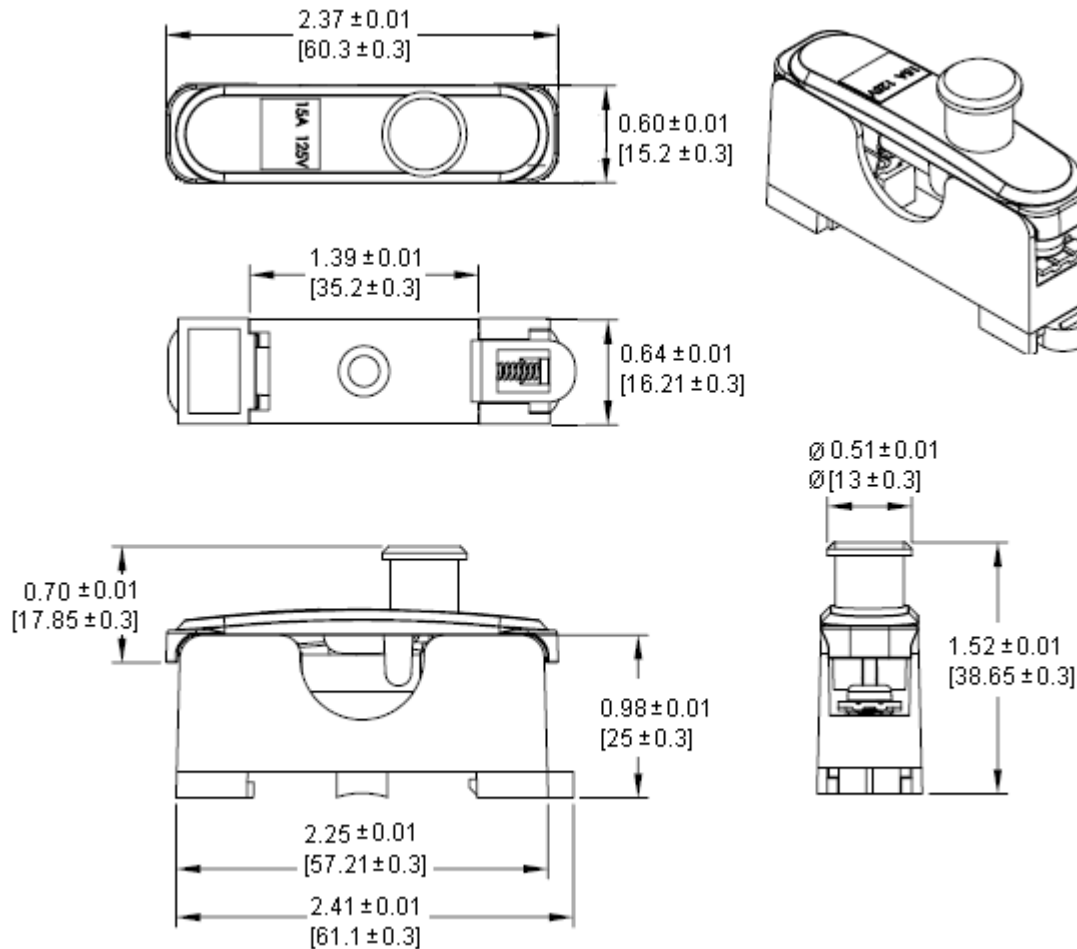
Indicating: Red LED

Panel Thickness: 1.0 ~ 1.2mm

Mounting: by Screw or DIN Rail

Part number	Rating
BLA-25-AC	15A 125VAC 10A 250VAC
BLA-25-DC	10A 24VDC

Product Dimensions: Inches [mm]



Warning:



-Operation beyond the specified maximum ratings or improper use may result in damage and possible electrical arcing and/or flame.

-Avoid contact of Fuse Block with chemical solvent. Prolonged contact will damage the device performance.

Note: All specifications subject to change without notice.

Rev A 02/2009 - Page: 1/1
Code: S02-01H