

Type BLC-08-GT
Fuse Block
MEGA[®] Limiter Fuses



www.optifuse.com (619) 593-5050

Specifications:

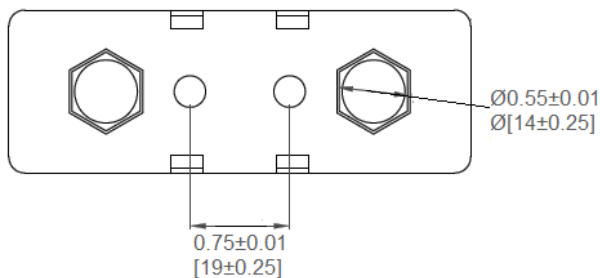
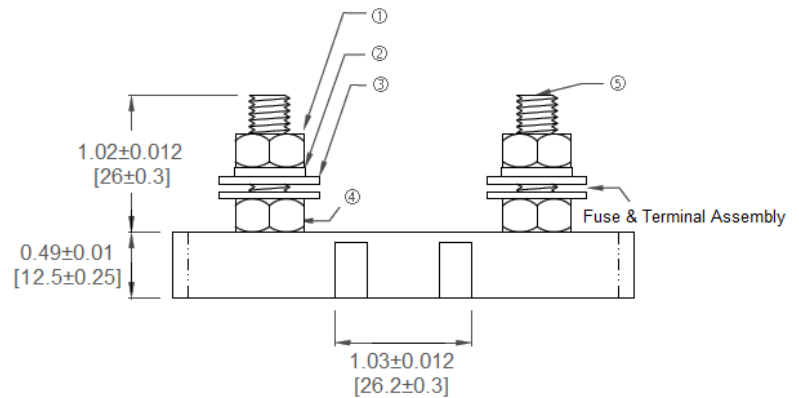
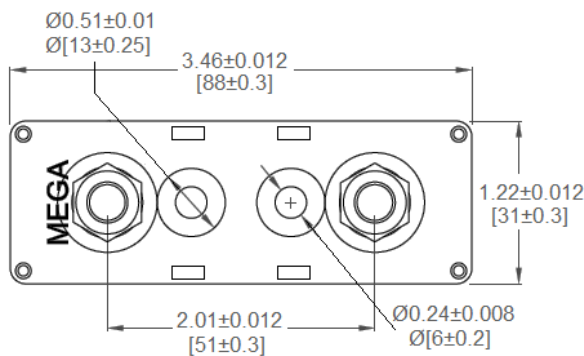
- Voltage Rating:** 125VAC / 500VDC
- Max Current Rating:** 500A
- Fuse Type:** MEGA[®] Limiter Fuse
- Insulation Resistance @ 500V DC:** 100MΩ Min.
- Base:** Phenolic Laminate, Flame Retarding
- Terminals:** Steel, anti-corrosion

Hardware Specifications

Item	Qty	Description
1	2	Nut, Nylock 5/16-24UNF
2	2	Lock Washer, 5/16
3	4	Washer, 5/16 SAE
4	2	Nut, Hex, Normal, 5/16-24UNF
5	2	Bolt, hex cap, 5/16-24 UNF x 1.25

For Cover: See BLC-08-GTC

Mechanical Dimensions: Inches [mm]



Warning:



-Operation beyond the specified maximum ratings or improper use may result in damage and possible electrical arcing and/or flame.

-Avoid contact of device with chemical solvent. Prolonged contact may damage the device performance.

Type BLC-08-GTA

Fuse Block with Cover

MEGA[®] Limiter Fuses



www.optifuse.com

(619) 593-5050

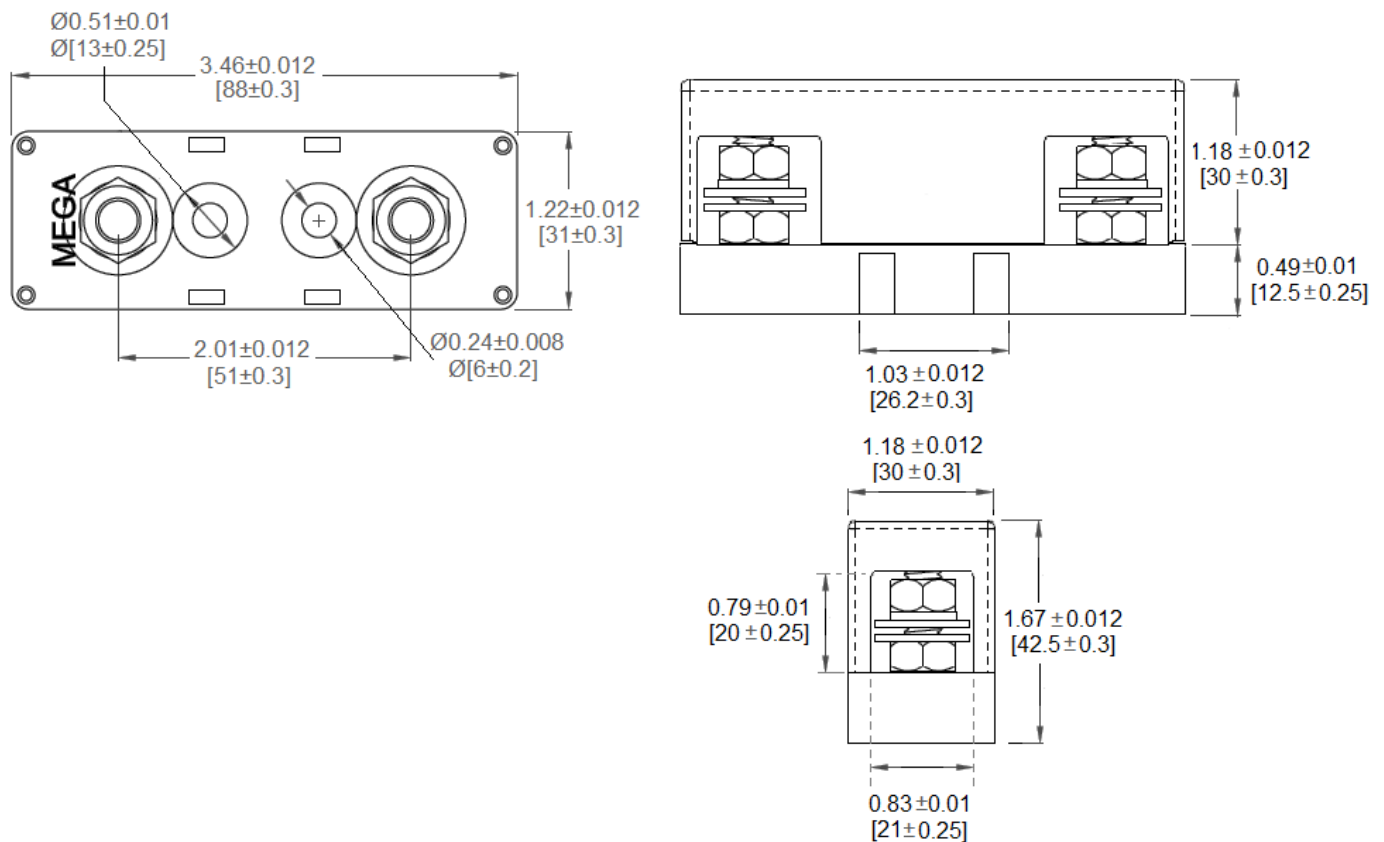
Specifications:

- Voltage Rating:** 125VAC / 500VDC
- Max Current Rating:** 500A
- Fuse Type:** MEGA[®] Limiter Fuse
- Insulation Resistance @ 500V DC:** 100MΩ Min.
- Base:** Phenolic Laminate, Flame Retarding
- Terminals:** Steel, anti-corrosion
- Cover:** Polycarbonate UL 94V0

For Block alone: See BLC-08-GT

For Cover alone: See BLC-08-GTC

Mechanical Dimensions: Inches [mm]



Warning:



-Operation beyond the specified maximum ratings or improper use may result in damage and possible electrical arcing and/or flame.

-Avoid contact of device with chemical solvent. Prolonged contact may damage the device performance.

Type BLC-08-GTC Fuse Block Cover MEGA[®] Limiter Fuses



www.optifuse.com

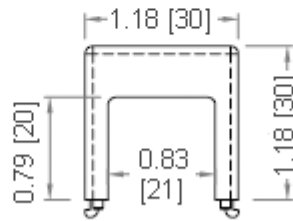
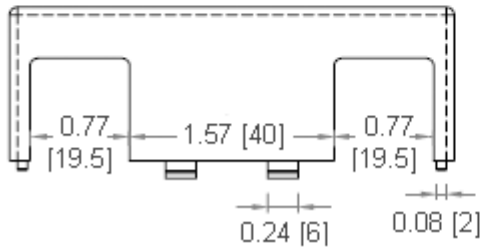
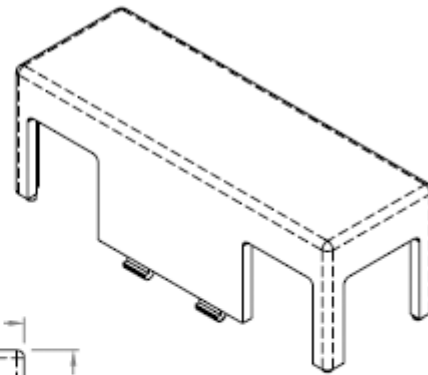
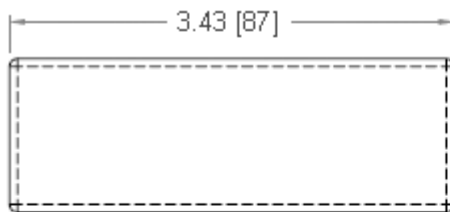
(619) 593-5050

Specifications:

Cover: Polycarbonate UL 94V0

To be used with Fuse Block: BLC-08-GT

Mechanical Dimensions: Inches [mm]



Warning:



-Operation beyond the specified maximum ratings or improper use may result in damage and possible electrical arcing and/or flame.

-Avoid contact of device with chemical solvent. Prolonged contact will damage the device performance.