

Type BLC-10 Fuse Block MGGA Limiter Fuses



www.optifuse.com (619) 593-5050

Specifications:

Base: NY GF%, Black.

M8 Studs & Nuts & Split Washers: Stainless steel 304

Cover: TPV Black.

Max Fuse Rating: 500A.

Max Voltage Rating: 32V

Recommended Torque

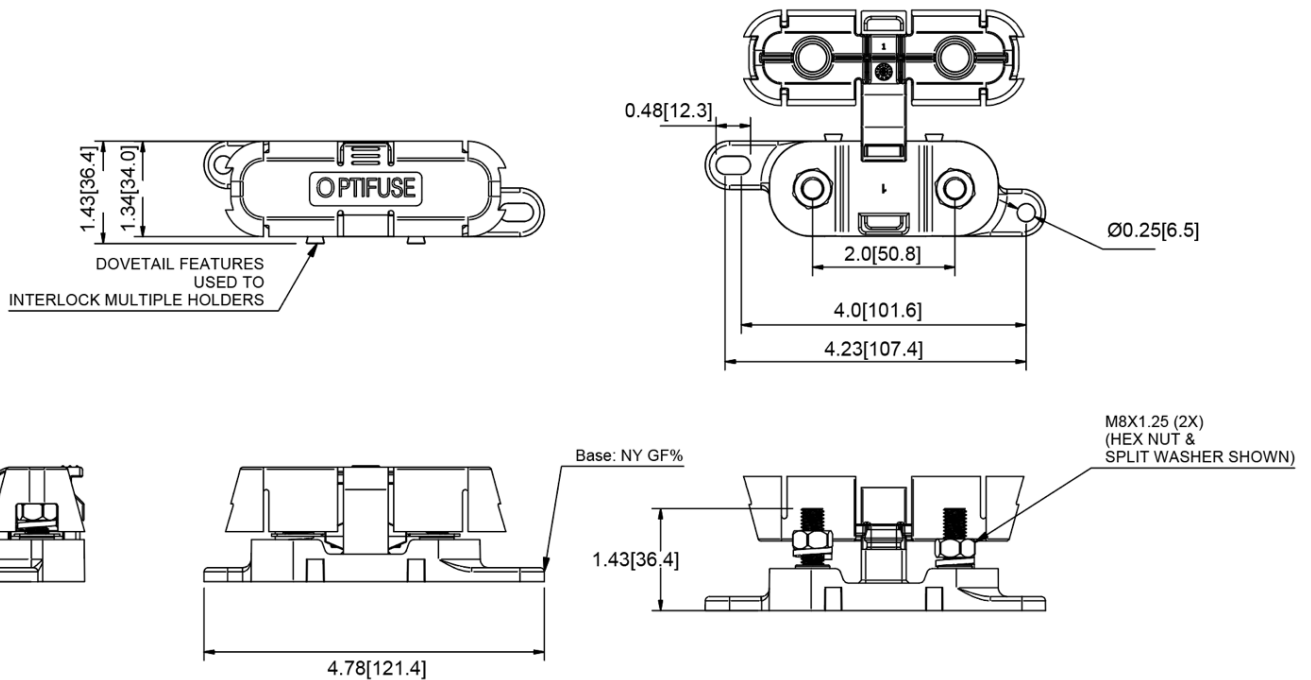
M8 Stud Torque: 25Nm Minimum


Mounting Torque (Using M6 Bolts & Washers): 10Nm Minimum

Temperature Rating: -40°C ~125°C

Wire Size: 8mm² ~ 30mm²

Mechanical Dimensions: Inches [mm]



<p>Warning:</p> 	<p>-Operation beyond the specified maximum ratings or improper use may result in damage and possible electrical arcing and/or flame.</p> <p>-Avoid contact of device with chemical solvent. Prolonged contact may damage the device performance.</p>
--	--