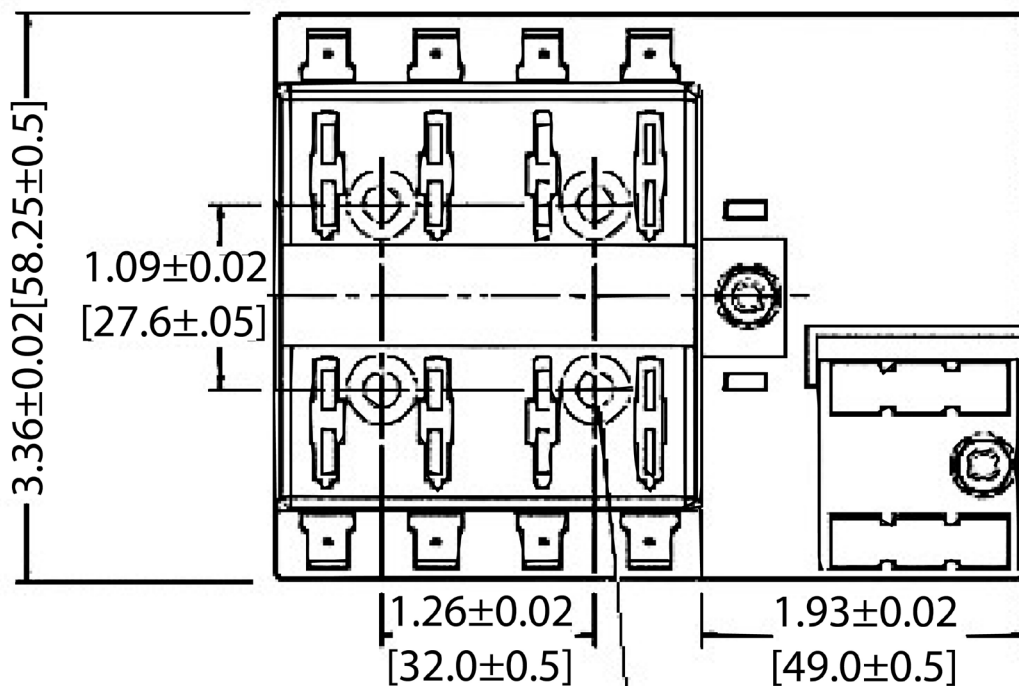
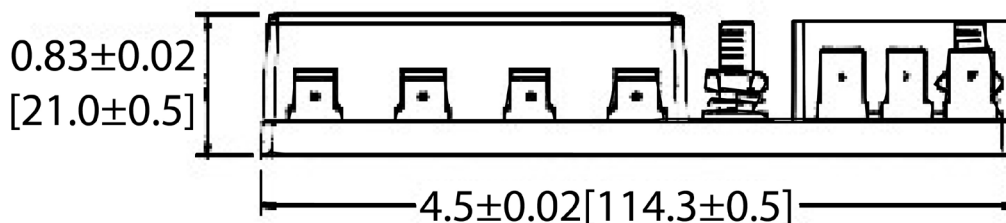


Mechanical Dimensions: Inches [mm]

Tolerances  $\pm 0.012$  [0.3] Unless Otherwise Specified



$\text{Ø}0.22$  [5.5] with  $\text{Ø}0.41$  [10.4]  
deep recesses -4 places



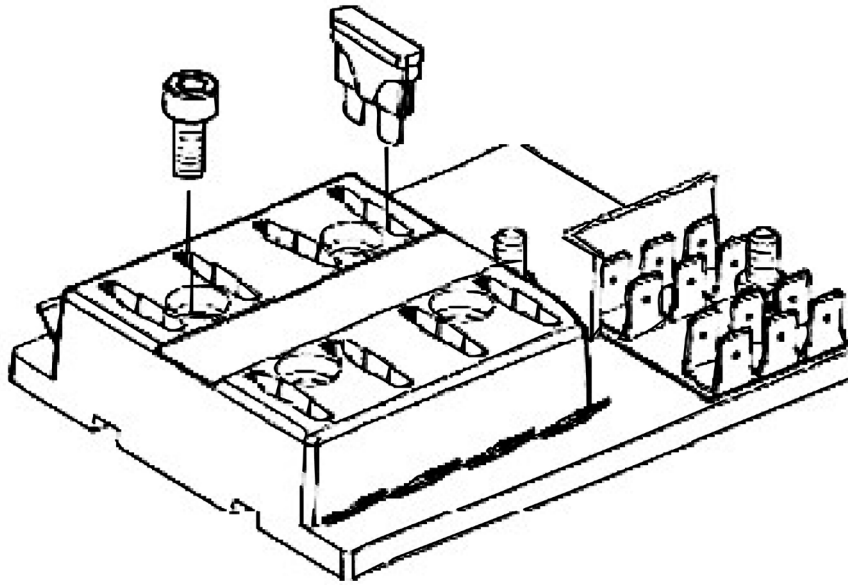
Electrical Specifications

Volate Rating	32VDC
Current Rating (Combined Circuits)	100A
Current Rating (Max Input)	25A
Line Side Connection	#10-32 Studs
Load Side Connection	0.25" Quick Connect

Material Specifications

8 Circuits with Ground Bus	
Body Material	Polycarbonate (UL94V-2)
Terminal Material	Copper (Tin Plated)
Accepts Regular (ATO/ATC Style) Blade Fuses	
For cover please ask us about our BLC-108-C	

Isometric View



Rev	Date of issue	Revision Notes	Designed	Approved
C	07-09-2024	Updated to new style; Corrected combined circuit rating	RC	OF