

# BLC-61 Fuse Block MID Limiter Fuses



www.optifuse.com (619) 593-5050

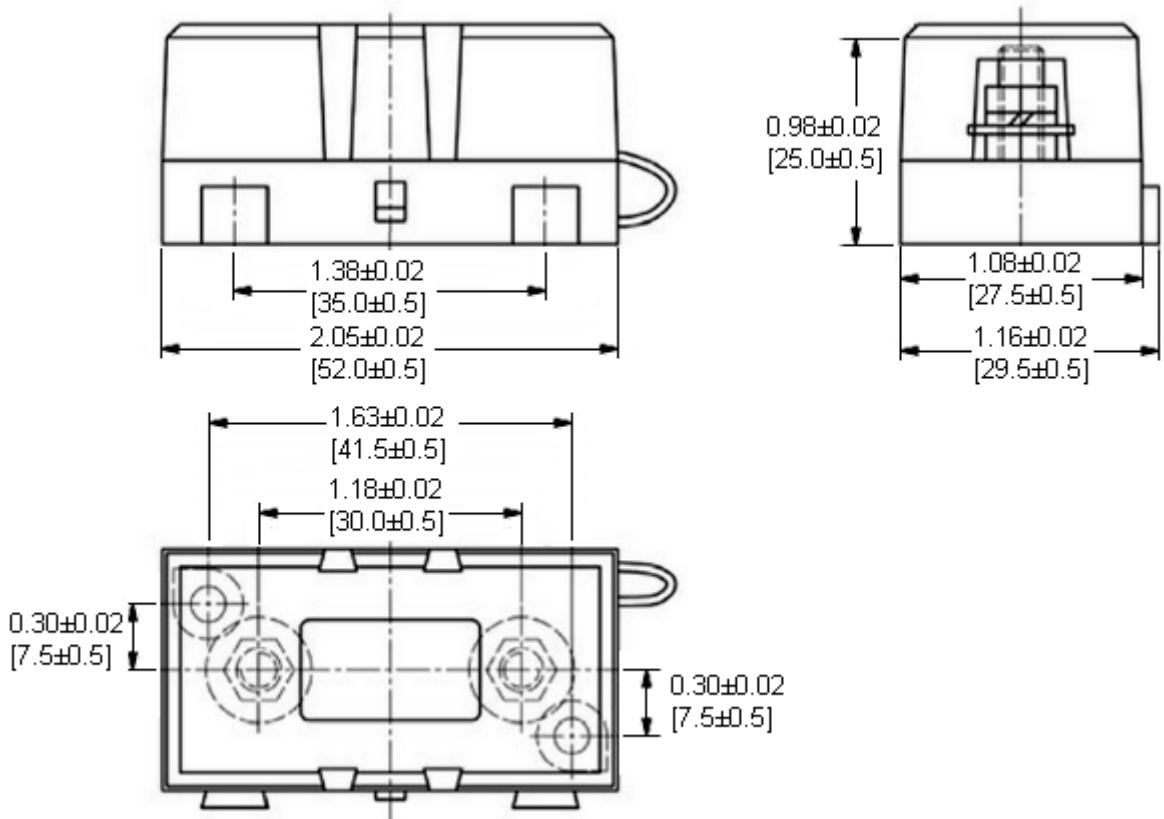
**Specifications:**

- Voltage Rating:** 70VDC
- Max Fuse Rating:** 200A
- Fuse Type:** MID / MIDA Limiter Fuses
- Base and Cover:** Nylon 66 -UL flame: 94V-0
- Transparent Window:** PC
- Terminals:** M5 Threaded Studs with Hex Nuts, Lock Washers



**Interconnecting pins on side of fuse** to connect to secure multiple block configurations.

**Mechanical Dimensions: Inches [mm]**



	<p><b>Warning:</b> -Operation beyond the specified maximum ratings or improper use may result in damage and possible electrical arcing and/or flame.</p>
	<p>-Avoid contact of device with chemical solvent. Prolonged contact may damage the device performance.</p>

Note: All specifications subject to change without notice.