

Type BLC-65 Fuse Block MID Limiter Fuses



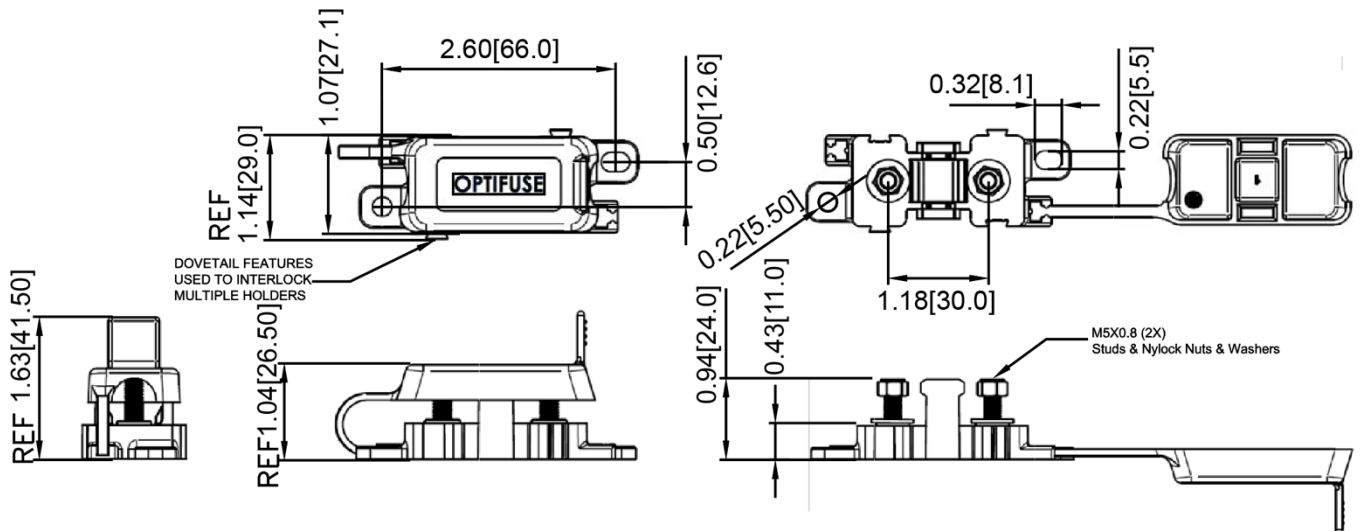
www.optifuse.com

(619) 593-5050

Specifications:

- Voltage Rating:** 58VDC
- Max Fuse Rating:** 200A
- Fuse Type:** MID / MIDA Limiter Fuses
- Wire Sizes:** 8mm²-35mm²
- Base Material:** NY GF%, Black
- Cover Material:** TPV, Black
- M5 Bolt Material:** Zinc-plated Steel
- M5 Nur Material:** Zinc-plated Steel with nylock inserts
- Washer Material:** SUS304
- M5 Stud Torque:** 5Nm Min.
- Mounting Torque:** 5Nm Min
- Operation Temperature:** -40° C ~ 125° C

Mechanical Dimensions: Inches [mm]



Warning:



-Operation beyond the specified maximum ratings or improper use may result in damage and possible electrical arcing and/or flame.

-Avoid contact of device with chemical solvent. Prolonged contact may damage the device performance.