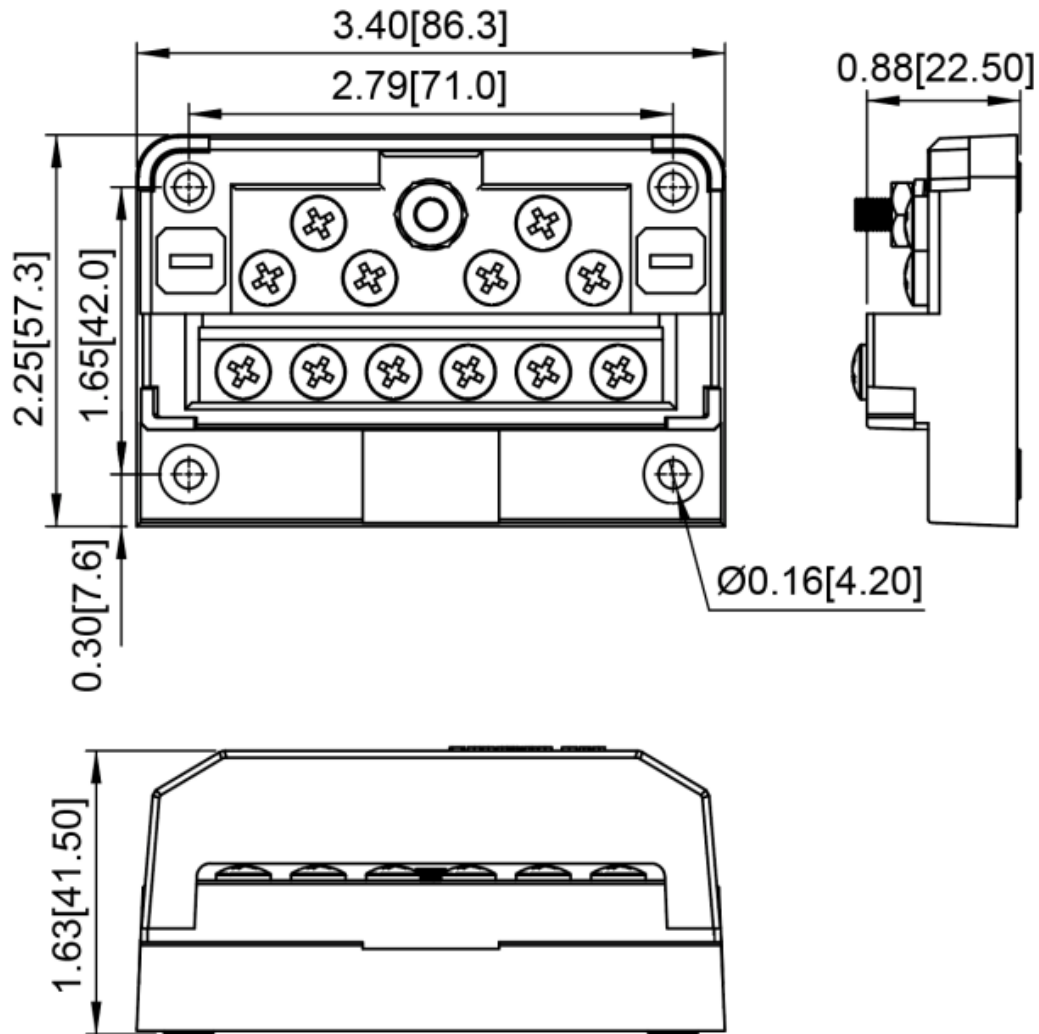


Mechanical Dimensions: Inches [mm]

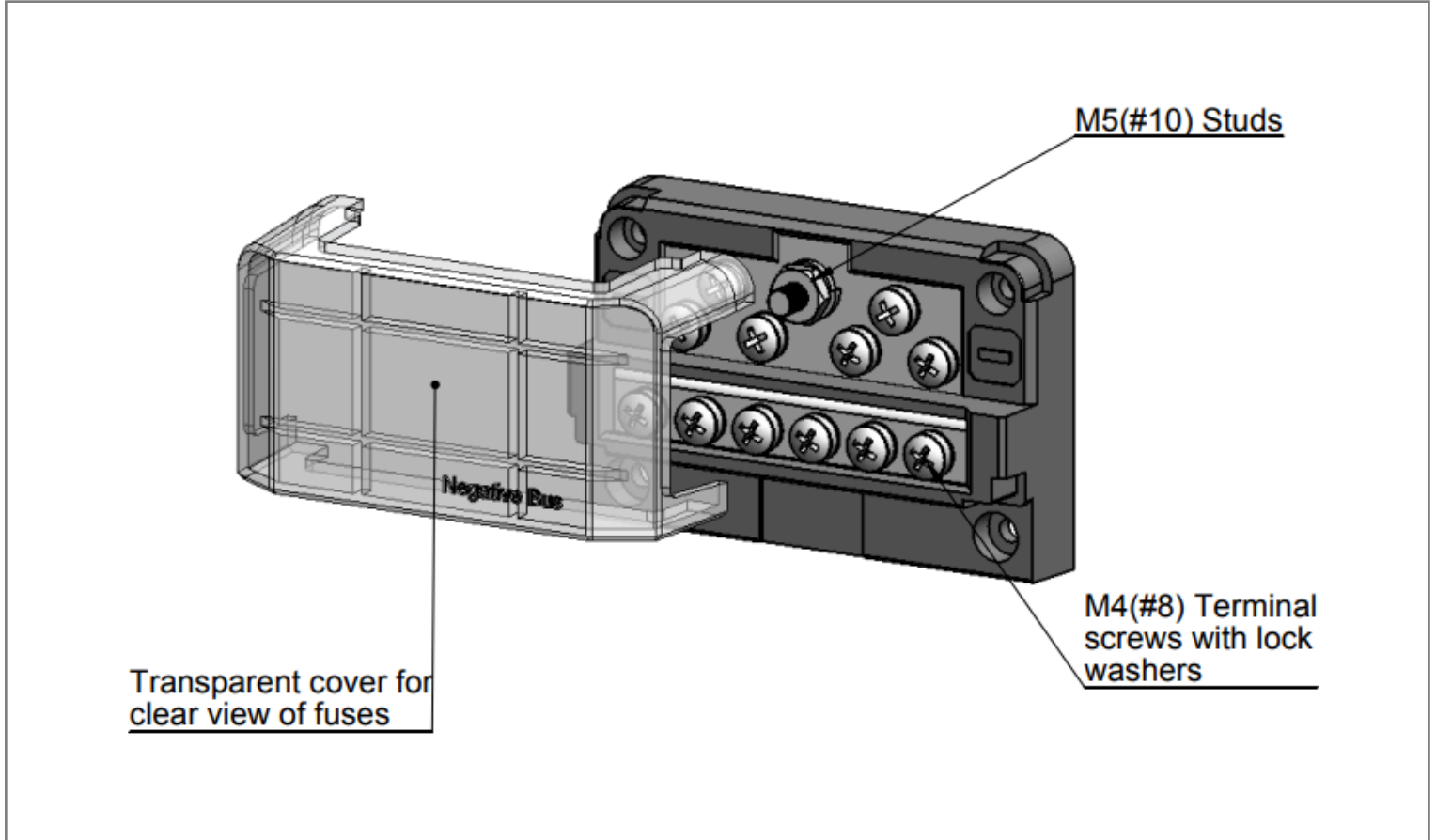
Size(mm)	0.5-6	>6-30	>30-120	>120-400
Tol(mm)	+/-0.05	+/-0.1	+/-0.15	+/-0.2



Specifications

Voltage Rating	32VDC	12 Circuits Ground Bus
Current Rating	100A	Transparent cover
Load Side Connection	M4 (#8) Screw Terminals	Modular Design - 2 items can be combined into 4 models
Line Side Connection	M5 (#10) Studs	
Temperature Rating	-20°C ~ 120°C	

Isometric View



Rev	Date of issue	Revision Notes	Designed	Approved
B	03-22-2023	Added Temperature Rating	RC	OF