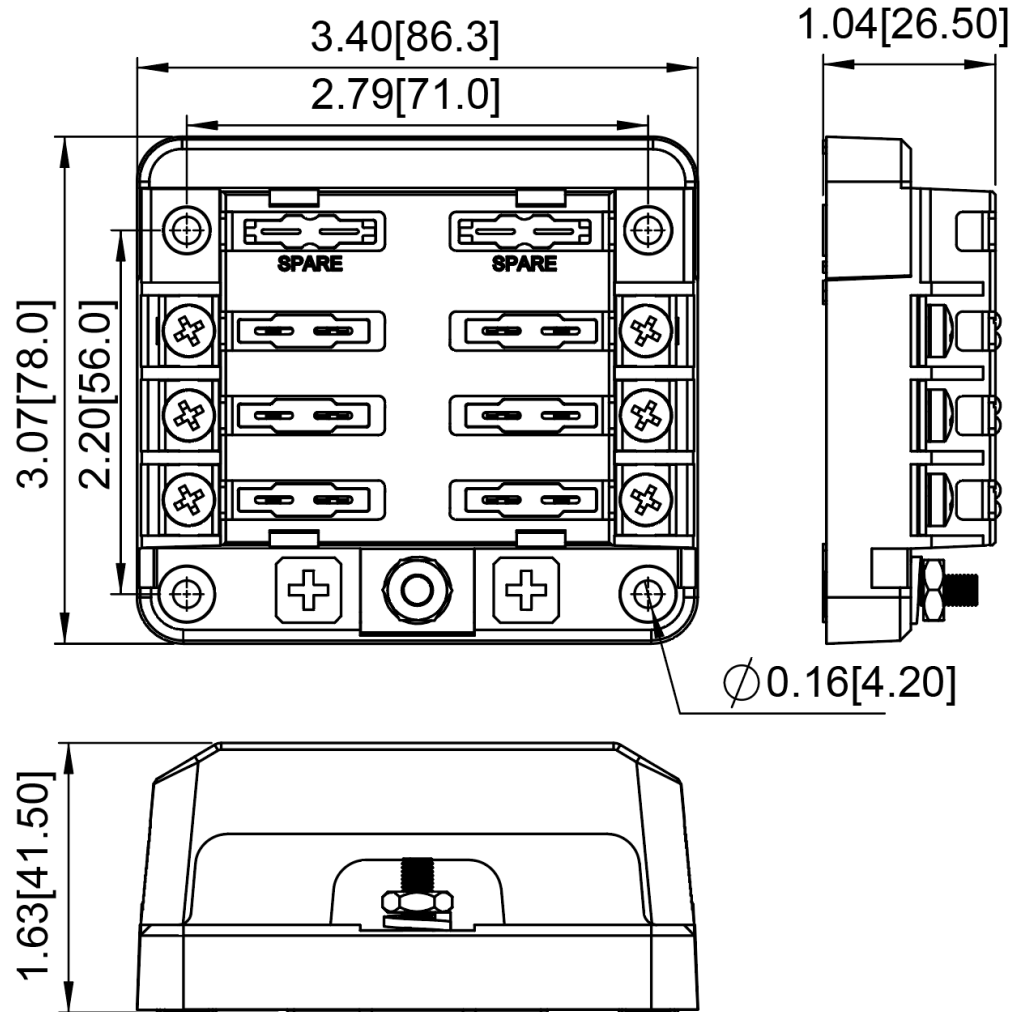


Mechanical Dimensions: Inches [mm]

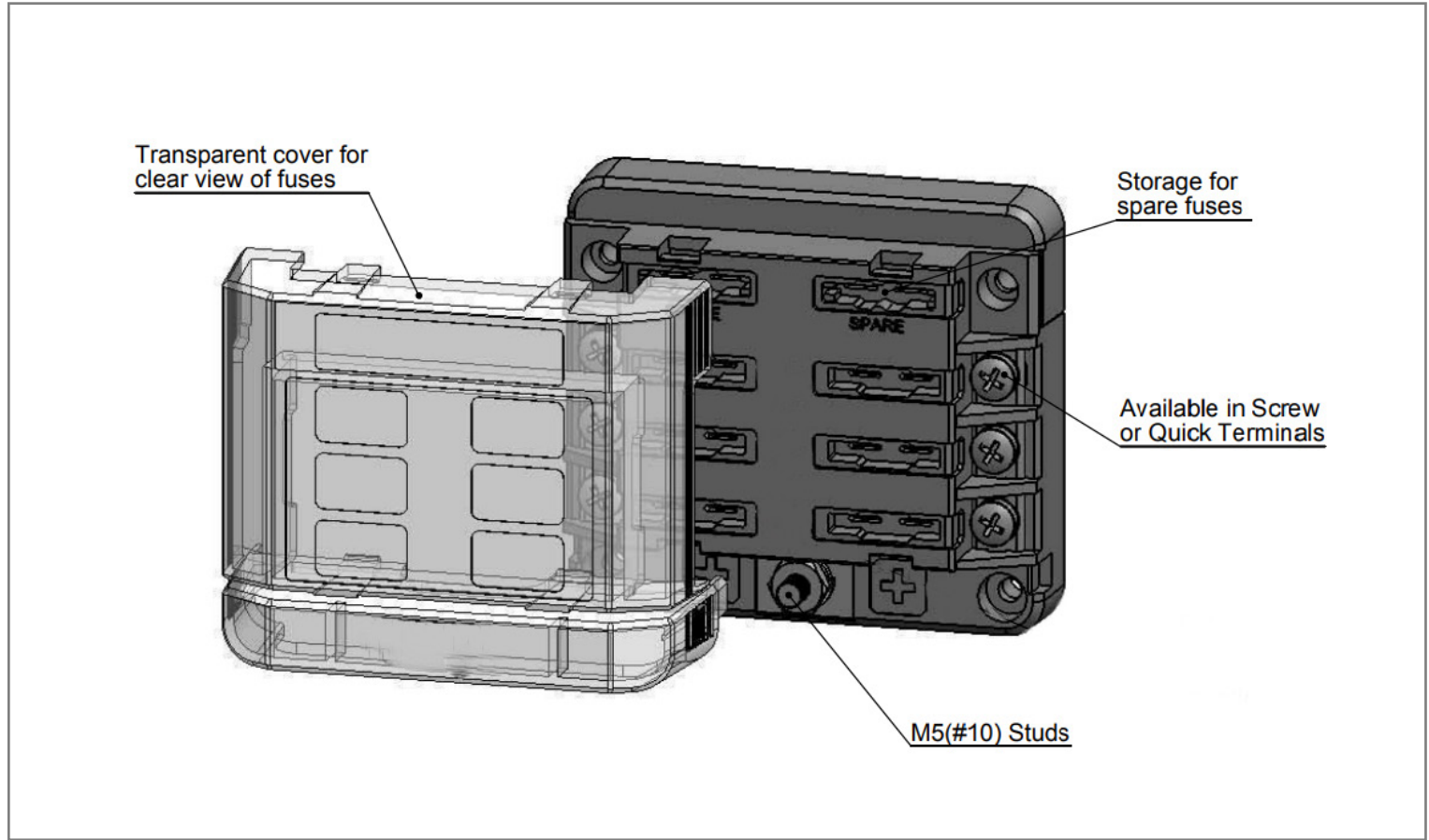
Size (mm)	0.5-6	>6-30	>30-120	>120-400
Tol (mm)	+/-0.05	+/-0.1	+/-0.15	+/-0.2



Specifications

Voltage Rating	32VDC	6 Circuits
Current Rating (Combined Circuits)	100A	Transparent cover with recessed area for label stickers
Current Rating (Max Input)	30A	60pcs assorted label stickers set included
Load Side Connection	M4 (#8) Screw Terminals	Storage for 2 spare fuses
Line Side Connection	M5 (#10) Studs	Modular Design - 2 items can be combined into 4 models
Temperature Rating	-20°C ~ -120°C	
Accepts Regular (ATO/ATC Style) Blade Fuses		

Isometric View



Rev	Date of issue	Revision Notes	Designed	Approved
B	03-22-2024	Added Temperature Rating	RC	OF