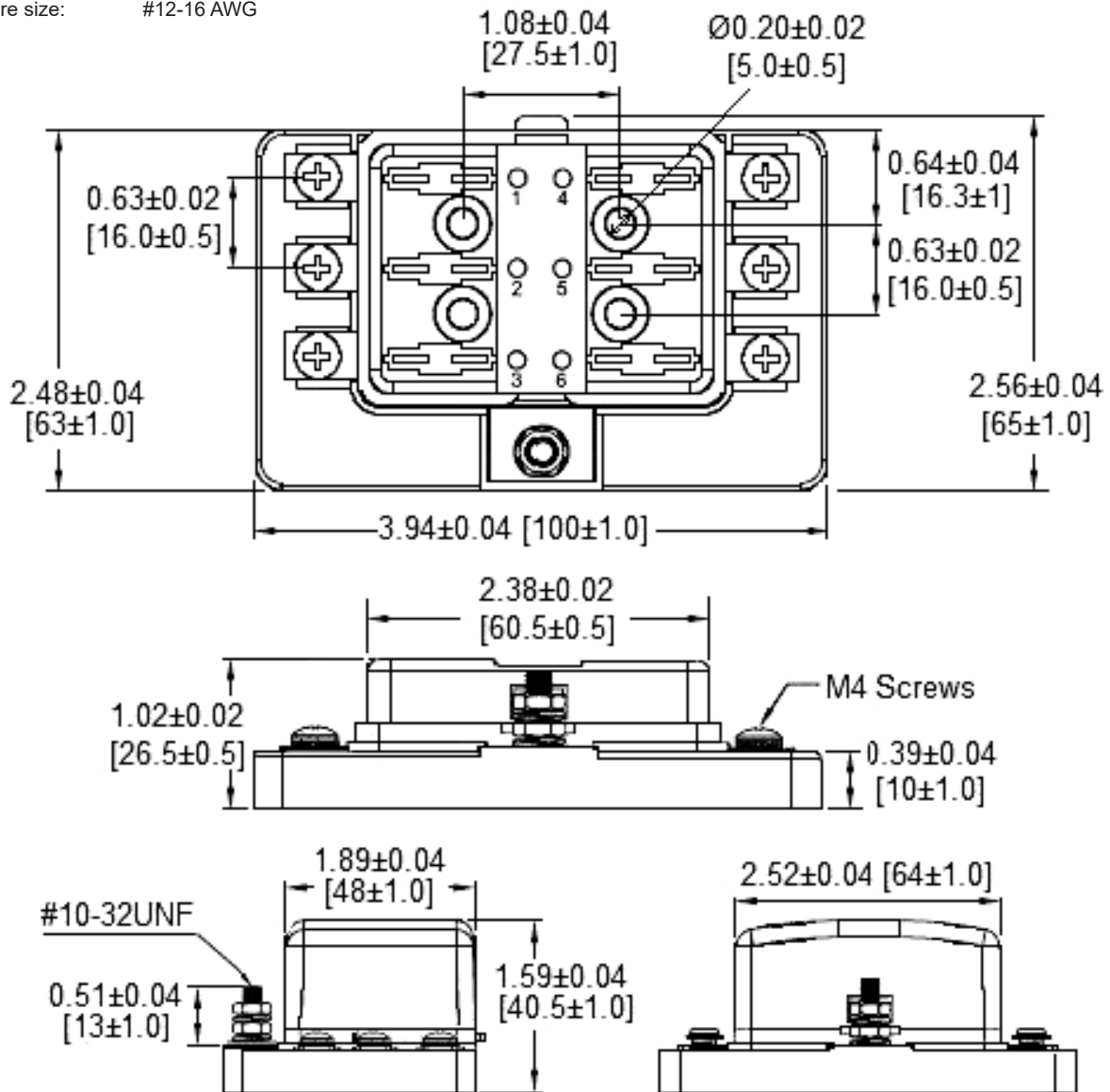


Mechanical Dimensions: Inches [mm]

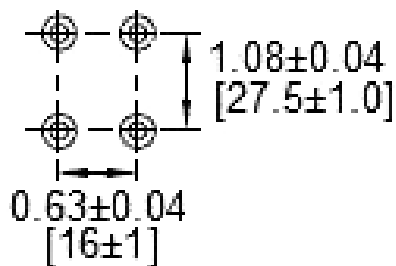
Connection Pad Option Available

Input wire size: #4-6 AWG
Output wire size: #12-16 AWG

Tolerances ± 0.012 [0.3] Unless Otherwise Specified



Mounting Hole



Thickness: IN[mm]max

Terminal Dimensions



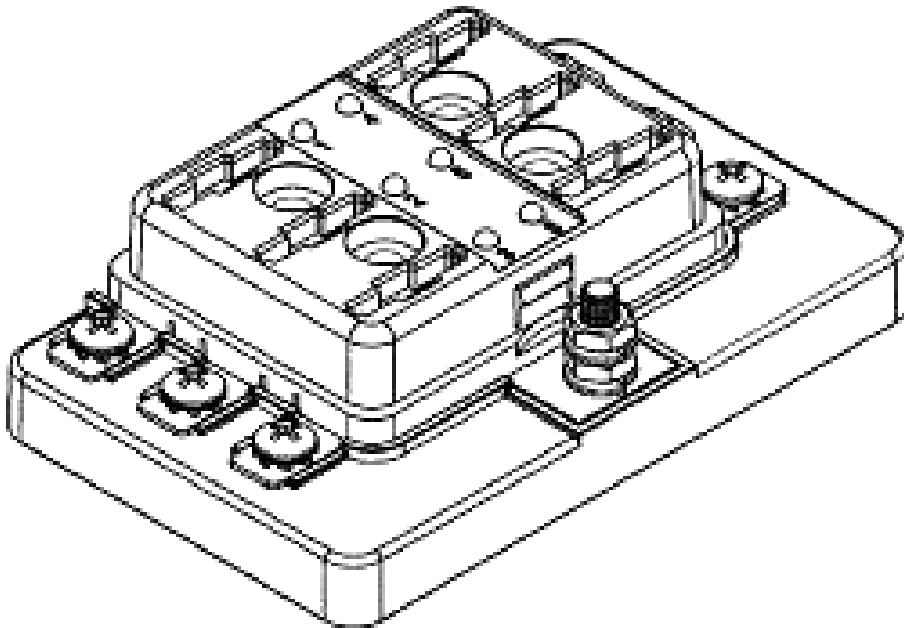
Electrical Specifications

Voltage Rating	32VDC
Current Rating (Combined Circuits)	100A
Current Rating (Each Circuit)	30A
Temperature Rating	-20°C~85°C
Load Side Connection	#10-32 Threaded Stud
Line Side Connection	M4 Screw Terminals

Material Specifications

6 Circuits	
Accepts Regular (ATO/ATC Style) Blade Fuses	
LED Indication of Blown Fuse	
Body Material	PBT (UL flame: 94V-0), Black
Cover Material	PC (UL flame: 94V-2), Transparent
Button Material	POM, White
Terminal Material	Copper, Tin plated

Isometric View



Rev	Date of issue	Revision Notes	Designed	Approved
C	07-18-2025	Initial Drawing	RC	OF