

Type BLR-I-912-G

Fuse Block - Indicating

12 Pole - Regular, ATC/ATO Auto Blade

With 12-Position Grounding Block



www.optifuse.com (619) 593-5050

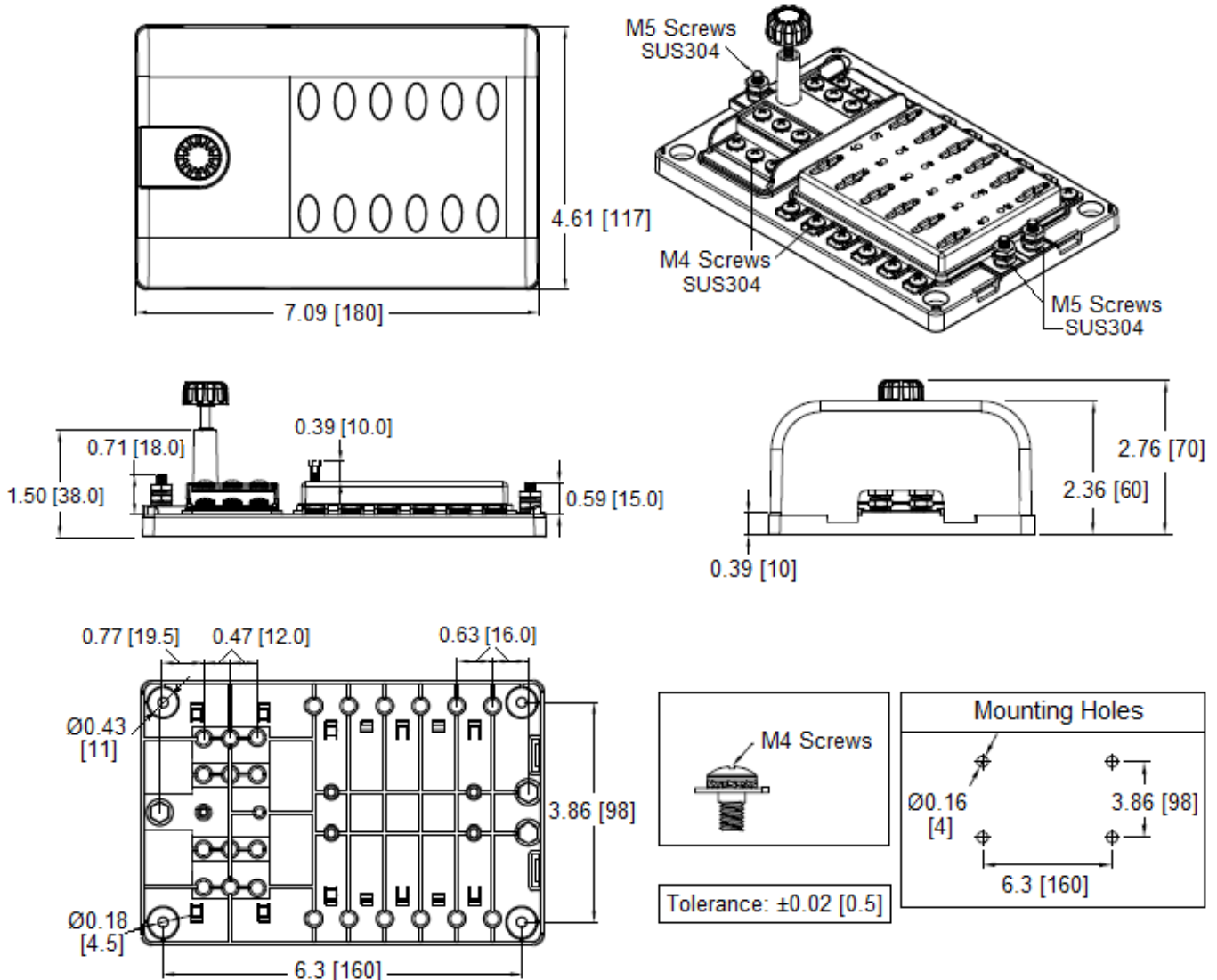
Specifications:

- Max Voltage:** 32VDC
- Max Current Rating:** 30A per Circuit - 100A Max
- Fuse Type:** Regular, ATO / ATC, Auto Blade (APR / ANR series)
(Fuses or Circuit Breakers)
- Mounting:** 4 mounting holes, 4.5mm diameter
- Indicating LED** – Red
- Temperature Rating:** -20° C ~ +85° C

Material:

- Housing & Base:** PBT, Black
- Cover:** PC, Clear
- Terminals:** Copper

Mechanical Dimensions: Inches [mm]



Warning:



-Operation beyond the specified maximum ratings or improper use may result in damage and possible electrical arcing and/or flame.

-Avoid contact of device with chemical solvent. Prolonged contact may damage the device performance.