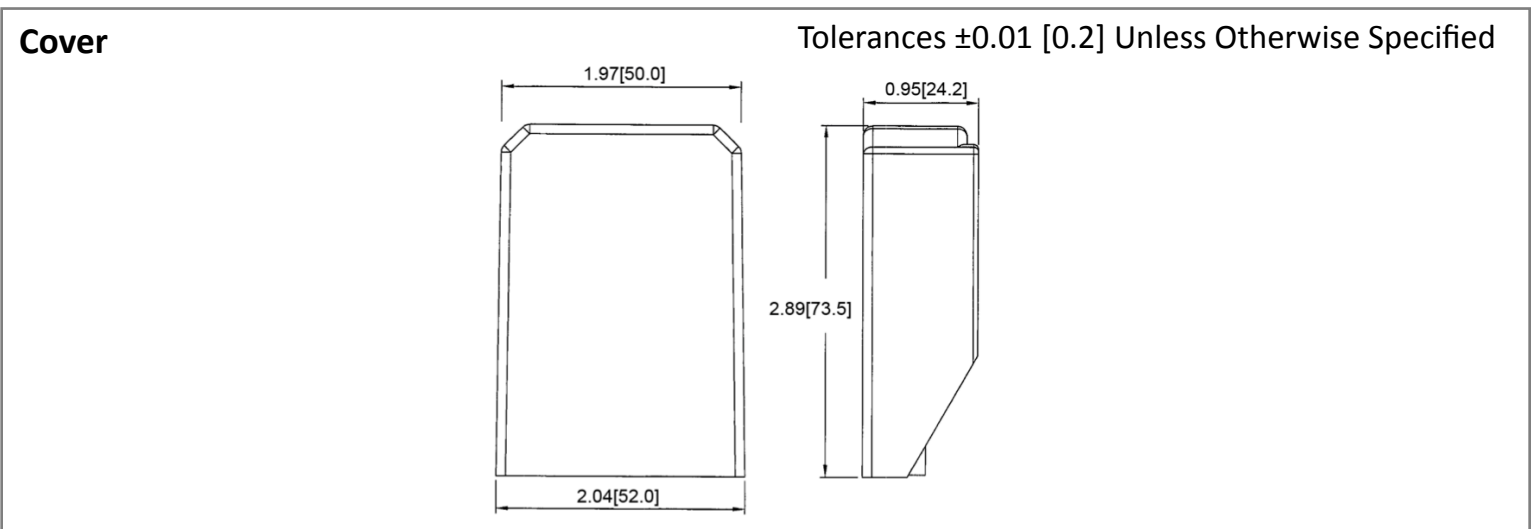
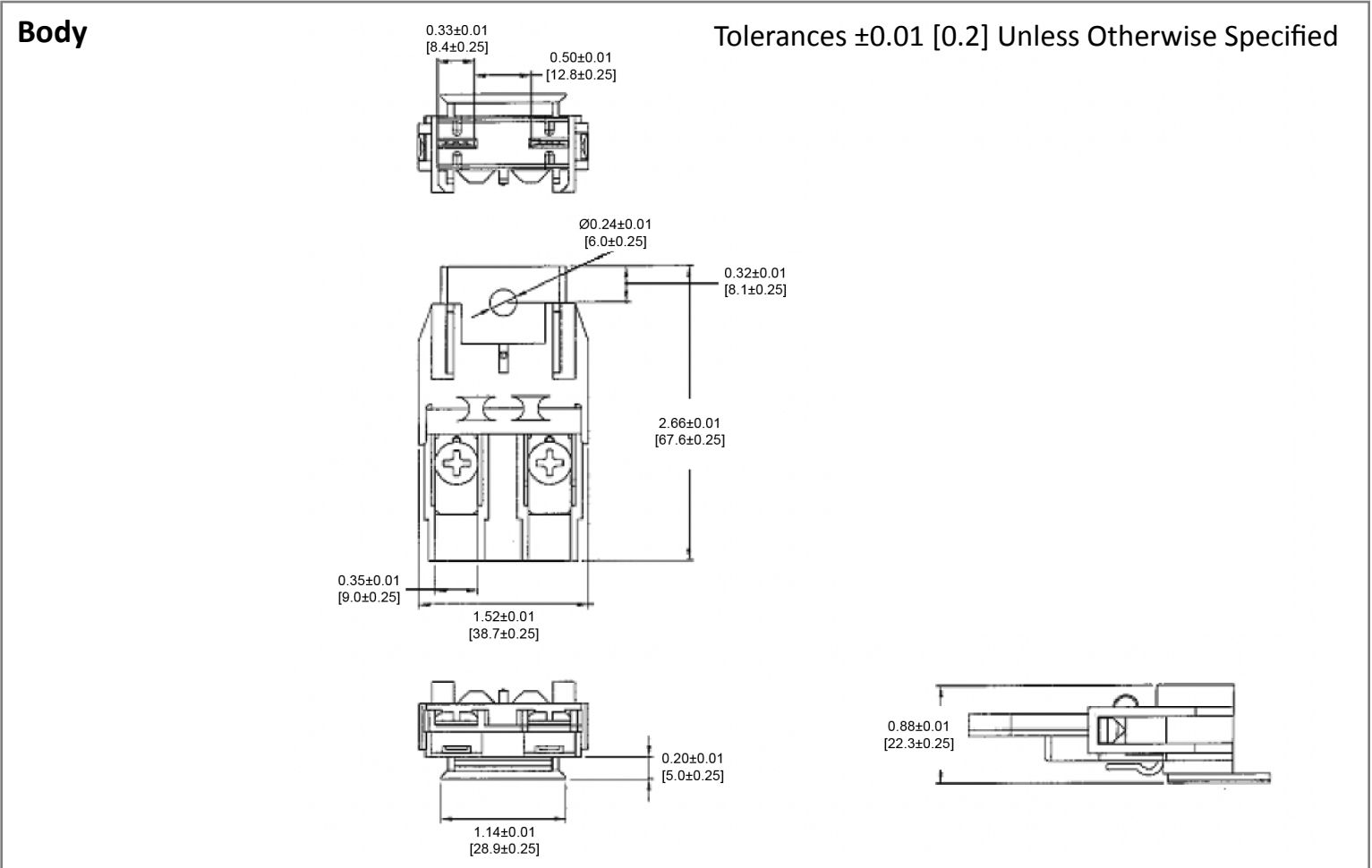


**Mechanical Dimensions: Inches [mm]**



**Electrical Specifications**

<b>Voltage Rating</b>	32VDC
<b>Amperage Rating</b>	60A
<b>Operating Temperature</b>	-20°C ~ 85°C

**Material Specifications**

Includes Insulating Cover (BLX-C)	
Accepts Maxi Style Blade Fuses	
<b>Body Material</b>	Nylon (UL Flame: 94V-0)
<b>Terminal Material</b>	Plated Brass
<b>Cover Material</b>	PP#366

Rev	Date of issue	Revision Notes	Designed	Approved
A	10-04-2023	Initial drawing	RC	OF