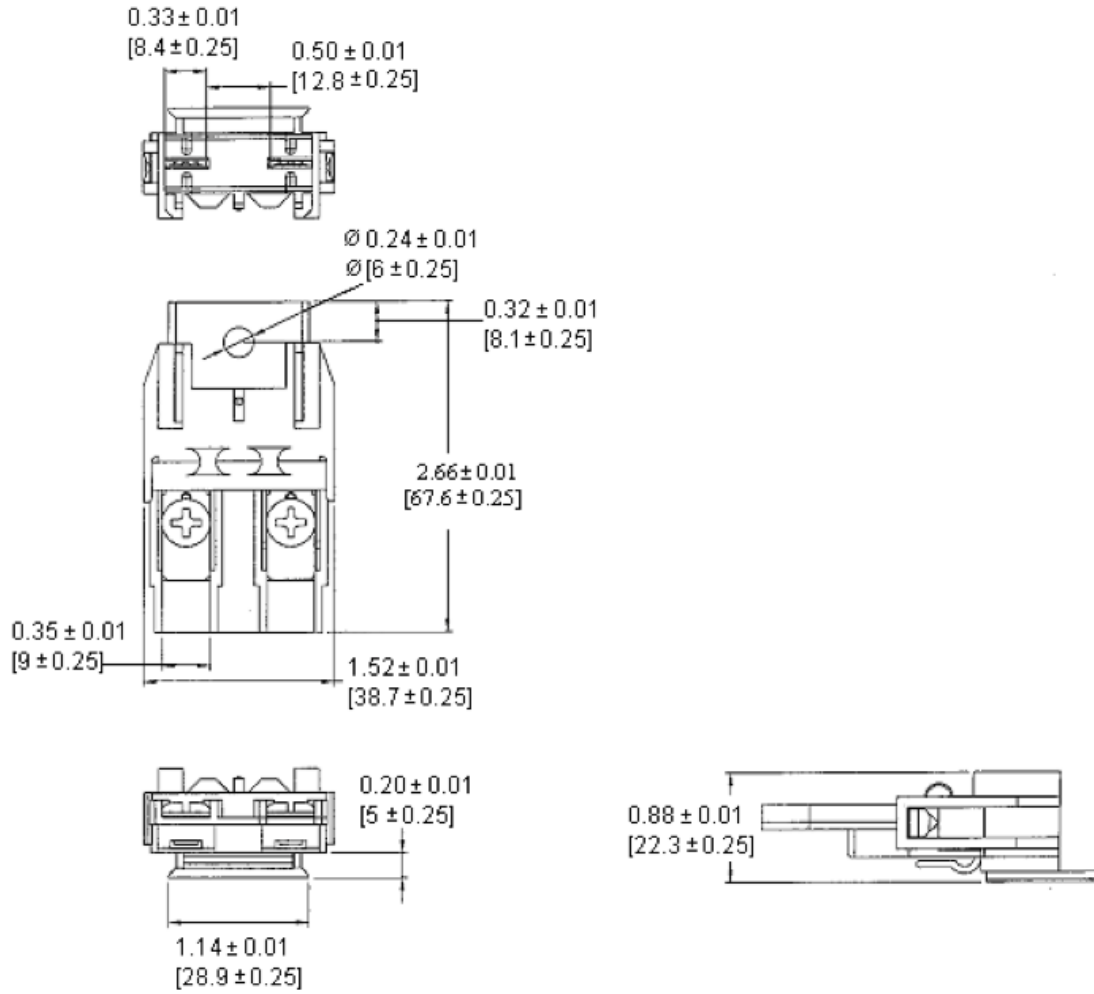


**Mechanical Dimensions: Inches [mm]**

Tolerances  $\pm 0.012$  [0.3] Unless Otherwise Specified



**Part Numbers Information**

Bulk Part #	Retail Pack #	Pack Size
BLX-01	BLX-01-BP	1

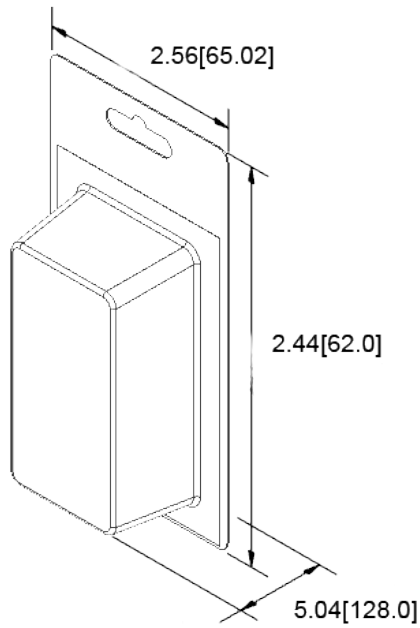
**Electrical Specifications**

Voltage Rating	32VDC
Current Rating	60A
Temperature Rating	-20°C ~ 85°C

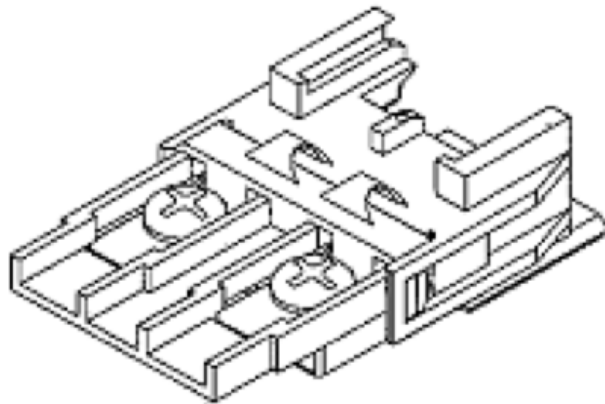
**Material Specifications**

For use with ANX and APX Large, Maxi Style Blade Fuse	
Body Material	Nylon (UL94V-0)
Terminal Material	Plated Brass

Retail Pack: Inches [mm]



Isometric View



Rev Date of issue Revision Notes

Designed Approved

Rev	Date of issue	Revision Notes	Designed	Approved
A	01-05-2024	Initial Drawing	RC	OF