

Product Specifications

Part Numbers Information

**Electrical Specifications**

Voltage Rating: 250VAC/DC  
Operating Temperature: -55°C ~ 125°C

**Standards**

100mA-15A UL  
Tested to UL 248-14 Standard. File E197390  
Tested to CSA C22.2 No.248.14 Standard. File E197390

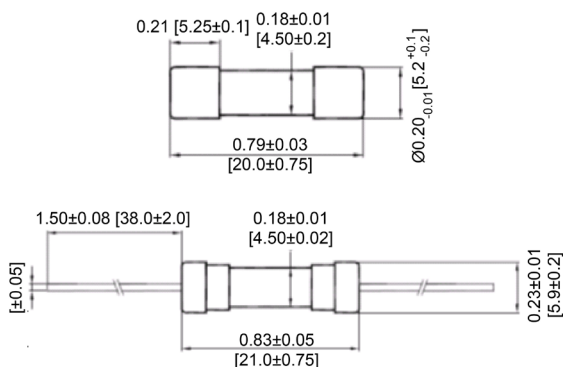
**Interrupting Rating**

10kA @ 125VAC (0.1A-15A)  
35A @ 250VAC (0.1A-1A)  
100A @ 250VAC (1.1A-3.5A)  
200A @ 250VAC (3.6A-10A)  
750A @ 250VAC (10.1A-15A)

**Material Specifications**

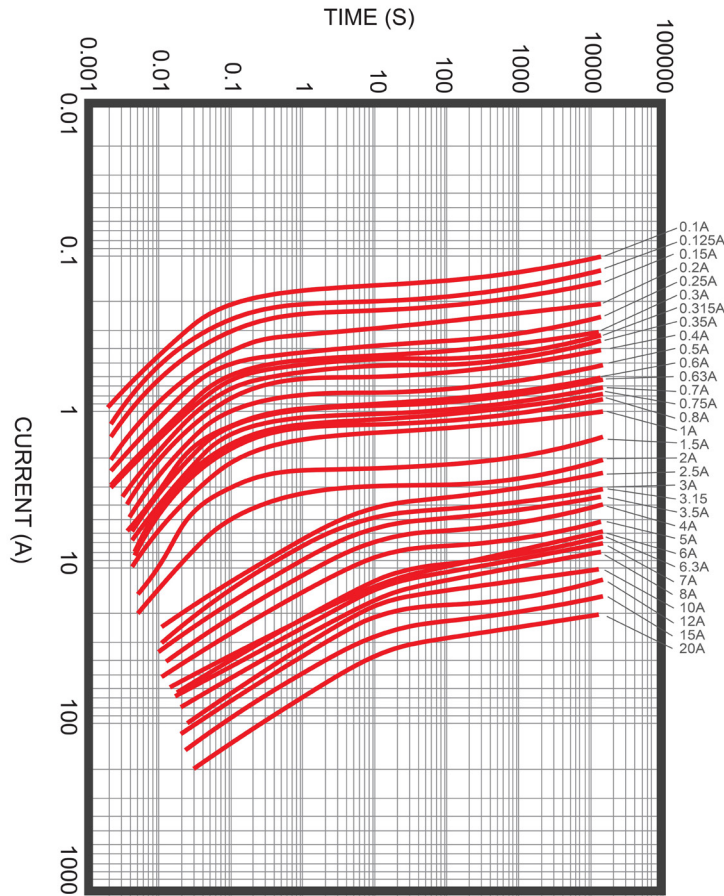
Body Material: Ceramic

**Mechanical Dimensions: Inches [mm]**

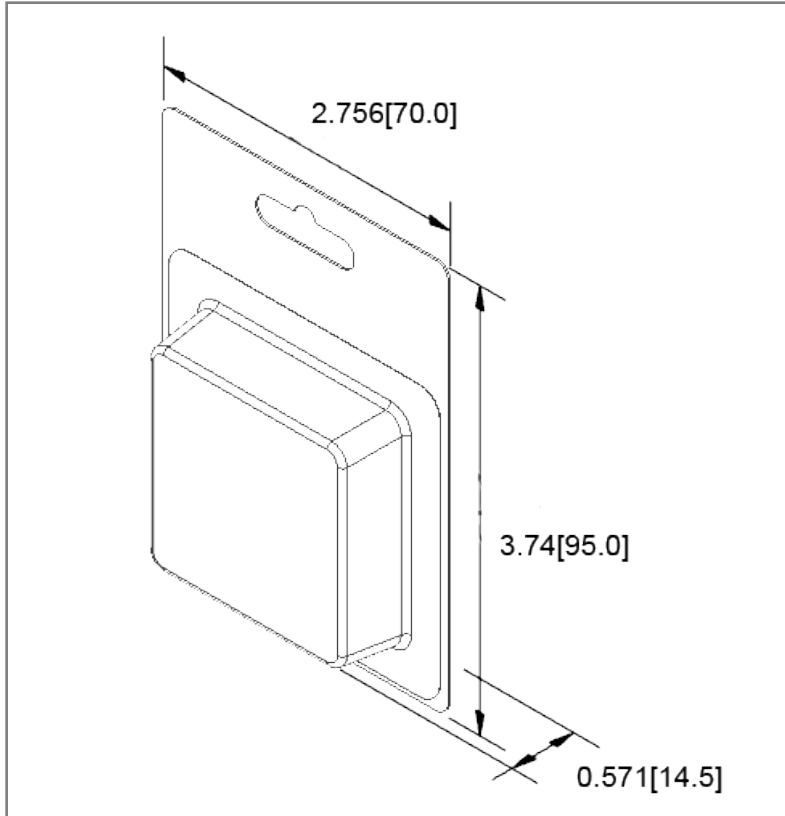


Cartridge P/N	Axial Lead P/N	Ampere Rating	I <sup>2</sup> T Reference (A <sup>2</sup> Sec)
FCC-100mA	FCC-P-100mA	100mA	0.0018
FCC-125mA	FCC-P-125mA	125mA	0.0035
FCC-150mA	FCC-P-150mA	150mA	0.0048
FCC-200mA	FCC-P-200mA	200mA	0.0085
FCC-250mA	FCC-P-250mA	250mA	0.0142
FCC-300mA	FCC-P-300mA	300mA	0.0197
FCC-315mA	FCC-P-315mA	315mA	0.0218
FCC-350mA	FCC-P-350mA	350mA	0.0375
FCC-400mA	FCC-P-400mA	400mA	0.0561
FCC-500mA	FCC-P-500mA	500mA	0.117
FCC-600mA	FCC-P-600mA	600mA	0.1539
FCC-630mA	FCC-P-630mA	630mA	0.1715
FCC-700mA	FCC-P-700mA	700mA	0.219
FCC-750mA	FCC-P-750mA	750mA	0.243
FCC-800mA	FCC-P-800mA	800mA	0.284
FCC-1A	FCC-P-1A	1A	0.414
FCC-1.5A	FCC-P-1.5A	1.5A	1.458
FCC-2A	FCC-P-2A	2A	3.168
FCC-2.5A	FCC-P-2.5A	2.5A	3.6
FCC-3A	FCC-P-3A	3A	5.0625
FCC-3.15A	FCC-P-3.15A	3.15A	5.8725
FCC-3.5A	FCC-P-3.5A	3.5A	9.3726
FCC-4A	FCC-P-4A	4A	13.683
FCC-5A	FCC-P-5A	5A	22.303
FCC-6A	FCC-P-6A	6A	43.708
FCC-6.3A	FCC-P-6.3A	6.3A	48.237
FCC-7A	FCC-P-7A	7A	60.523
FCC-8A	FCC-P-8A	8A	95.715
FCC-10A	FCC-P-10A	10A	166.1
FCC-12A	FCC-P-12A	12A	240.62
FCC-15A	FCC-P-15A	15A	435.98
FCC-20A	FCC-P-20A	20A	792

Time vs Percent of Rated Current



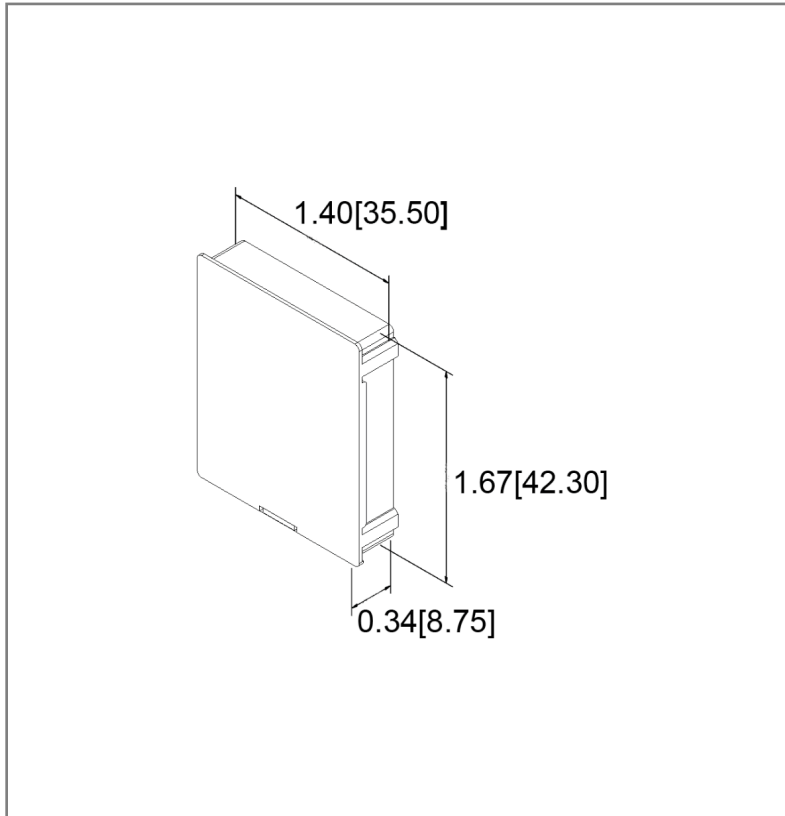
**Blister Pack: Inches [mm]**



**Retail Pack Part Number Information**

Ampere Rating	Retail Pack # Blister Card (5PCS)	Retail Pack # Pill Box (5PCS)
2A	FCC-2A-BP	FCC-2A-BX
2.5A	FCC-2.5A-BP	FCC-2.5A-BX
3.5A	FCC-3.5A-BP	FCC-3.5A-BX
4A	FCC-4A-BP	FCC-4A-BX
6A	FCC-6A-BP	FCC-6A-BX
10A	FCC-10A-BP	FCC-10A-BX
15A	FCC-15A-BP	FCC-15A-BX

**Pill Box: Inches [mm]**



\* Retail packs are for cartridge style fuses only

**Rev Date of issue Revision Notes**

**Designed Approved**

C	03-06-2024	Initial Drawing	RC	OF
---	------------	-----------------	----	----