

Type FMR-R

Fast Acting Micro Fuse

Radial Leaded – Long Leaded

Designed to Meet UL/CSA Specifications



www.optifuse.com (619) 593-5050

Agency Standards and Listings:



Interrupt Ratings: 50A @ 250 VAC

Voltage: 250V

Material

Body: Thermoplastic UL94V0

Pin: Copper Alloy, Tin plated

Element: Silver Alloy

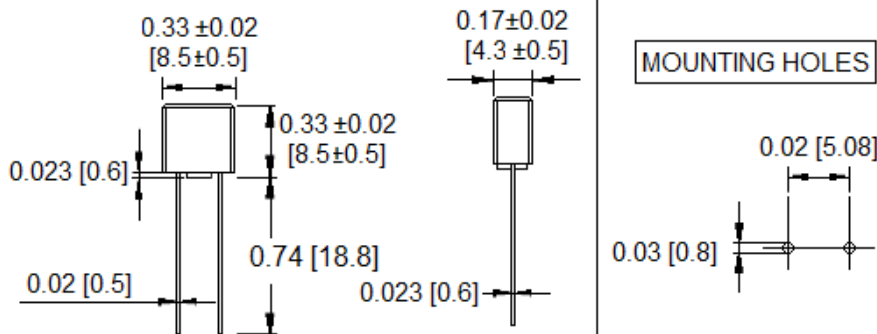
Electrical Characteristics:

Rated Current	100%	200%
50mA~10A	Carry	10 sec Max

FMR-R-xxA for Loose Fuses, Bulk, in a bag

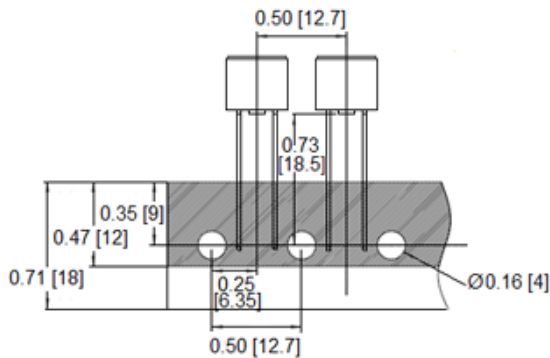
FMR-R-xxA-T for Taped Fuses, in a box

Mechanical Dimensions: Inches [mm]



Cartridge Catalog Number	Ampere Rating	Voltage Rating	I ² T
FMR-R-50mA	50mA	250V	0.0001
FMR-R-60mA	60mA		0.00012
FMR-R-63mA	63mA		0.00013
FMR-R-80mA	80mA		0.0002
FMR-R-100mA	100mA		0.0013
FMR-R-125mA	125mA		0.0019
FMR-R-160mA	160mA		0.0037
FMR-R-200mA	200mA		0.0075
FMR-R-250mA	250mA		0.013
FMR-R-300mA	300mA		0.022
FMR-R-315mA	315mA		0.026
FMR-R-400mA	400mA		0.015
FMR-R-500mA	500mA		0.022
FMR-R-600mA	600mA		0.03
FMR-R-630mA	630mA		0.038
FMR-R-700mA	700mA		0.052
FMR-R-800mA	800mA		0.068
FMR-R-1A	1A		0.1
FMR-R-1.25A	1.25A		0.2
FMR-R-1.5A	1.5A		0.32
FMR-R-1.6A	1.6A	0.039	
FMR-R-2A	2A	0.53	
FMR-R-2.5A	2.5A	1.1	
FMR-R-3A	3A	1.7	
FMR-R-3.15A	3.15A	1.9	
FMR-R-3.5A	3.5A	2.5	
FMR-R-4A	4A	3.2	
FMR-R-5A	5A	6.1	
FMR-R-6.3A	6.3A	9.7	
FMR-R-7A	7A	18	
FMR-R-8A	8A	27	
FMR-R-10A	10A	48	

Measurements if on Tape



	Warning:	-Operation beyond the specified maximum ratings or improper use may result in damage and possible electrical arcing and/or flame.
		-Micro Fuse device are intended for occasional overcurrent protection. Application for repeated overcurrent condition and/or prolonged trip are not anticipated.
		-Avoid contact of Micro Fuse device with chemical solvent. Prolonged contact will damage the device performance.

Note: All specifications subject to change without notice.