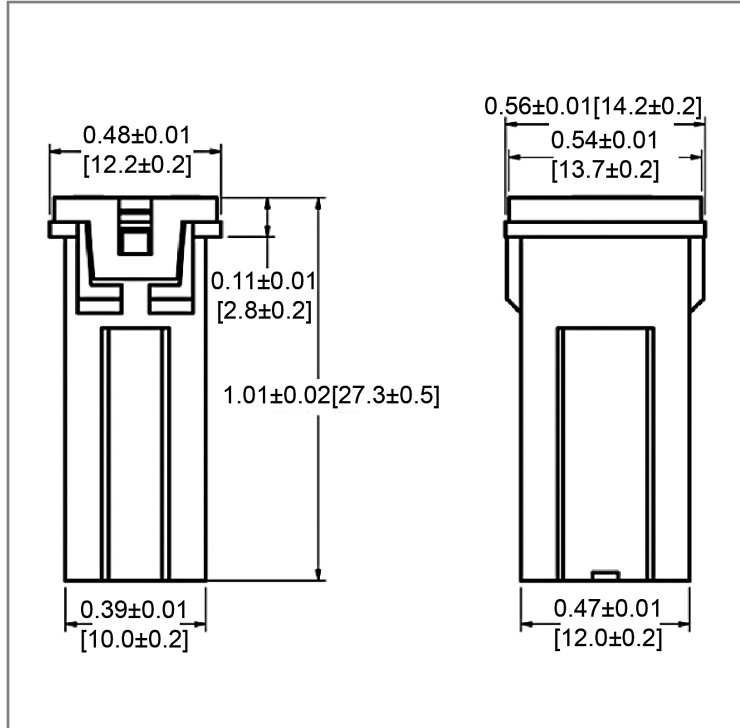
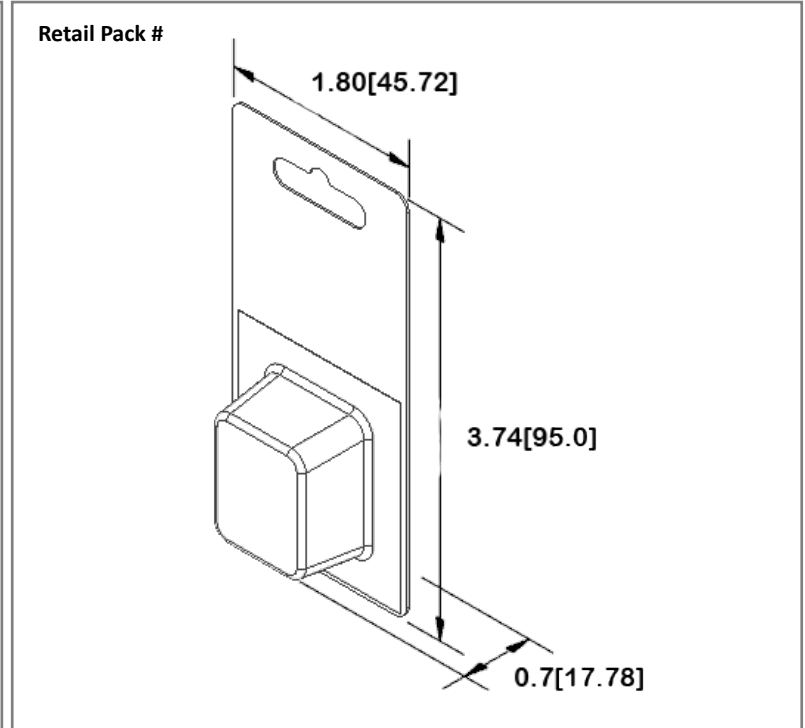


**Mechanical Dimensions: Inches [mm]**



**Retail Pack: Inches [mm]**



**Part Numbers Information**

Amperage	Body Color	Bulk Part #	Retail Pack # Blister Card	Pack Size
20A	Light Blue	FMX-I-20A	FMX-I-20A-BP	1
25A	White	FMX-I-25A	FMX-I-25A-BP	1
30A	Pink	FMX-I-30A	FMX-I-30A-BP	1
40A	Green	FMX-I-40A	FMX-I-40A-BP	1
50A	Red	FMX-I-50A	FMX-I-50A-BP	1
60A	Yellow	FMX-I-60A	FMX-I-60A-BP	1

**Electrical Specifications**

<b>Voltage Rating</b>	32V DC
<b>Interrupting Rating</b>	1,000A @ 32VDC
<b>Testing</b>	ISO 8820-4

Indicating LED when fuse is opened

Time vs. Percent of Rated Current

% of Rated Current	Min Hold Time	Max Hold Time
110%	4h	-
135%	60s	1800s
200%	4s	60s
350%	100ms	7s

Rev	Date of issue	Revision Notes	Designed	Approved
C	03-19-2025	Initial Drawing	RC	OF