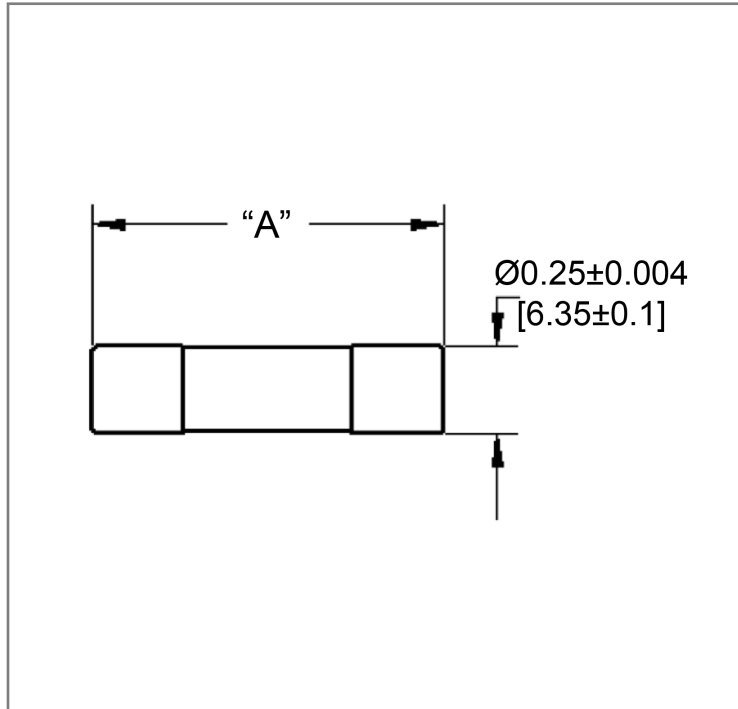
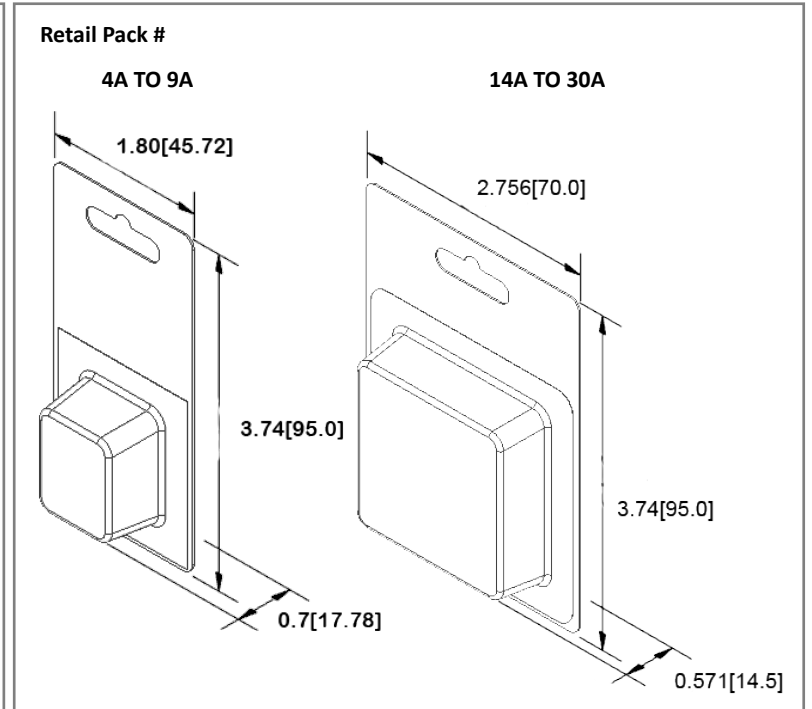


Mechanical Dimensions: Inches [mm]



Retail Pack: Inches [mm]



Part Numbers Information

Amperage	Dim "A"	Bulk Part #	Retail Pack # Blister Card	Pack Size
4A	0.63±0.03[15.9±0.8]	FSO-4A	FSO-4A-BP	5
6A	0.75±0.03[19.1±0.8]	FSO-6A	FSO-6A-BP	5
7.5A	0.87±0.03[22.2±0.8]	FSO-7.5A	FSO-7.5A-BP	5
9A	0.87±0.03[22.2±0.8]	FSO-9A	FSO-9A-BP	5
14A	1.06±0.03[27.0±0.8]	FSO-14A	FSO-14A-BP	5
20A	1.25±0.03[31.8±0.8]	FSO-20A	FSO-20A-BP	5
30A	1.44±0.03[36.5±0.8]	FSO-30A	FSO-30A-BP	5

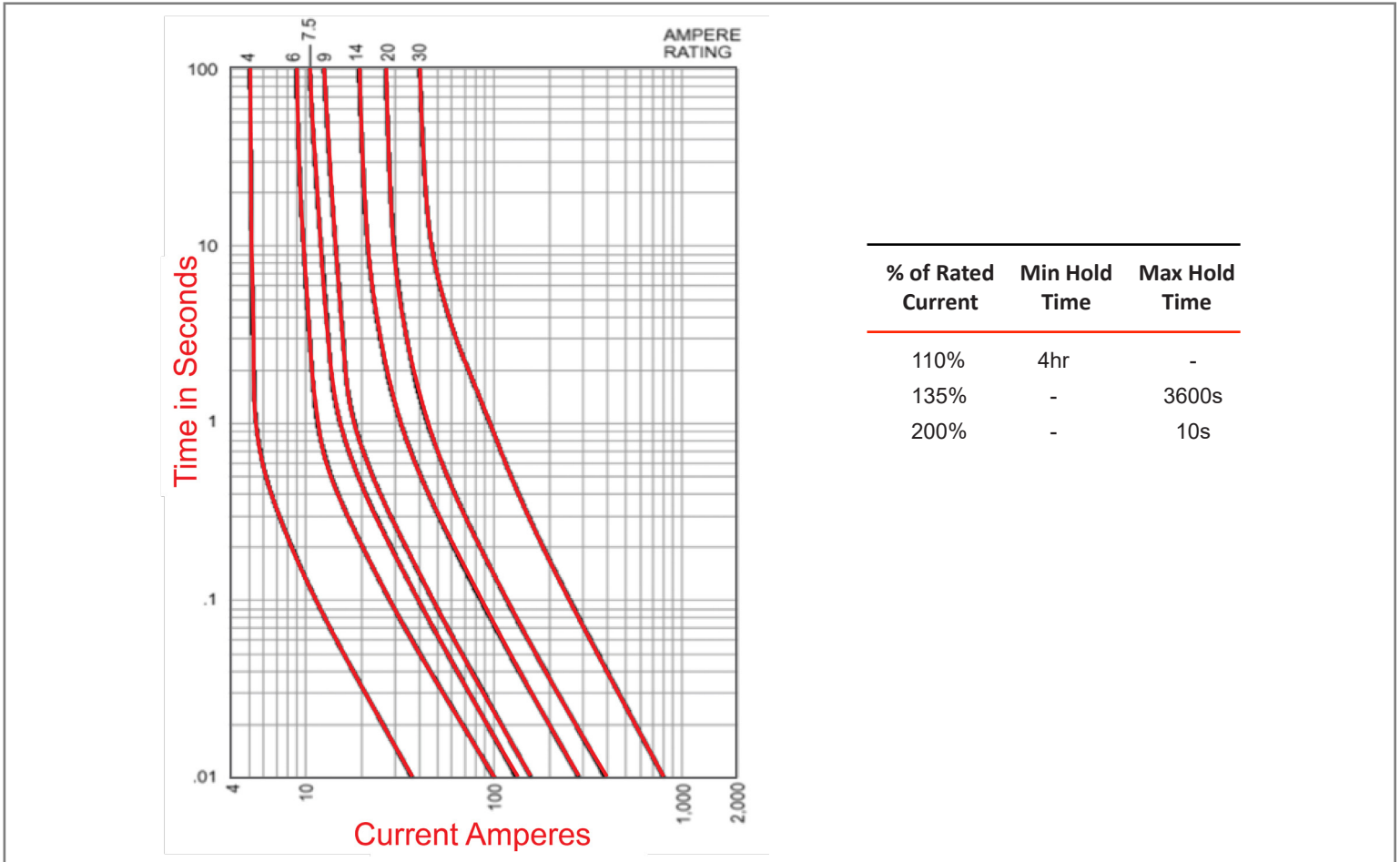
Electrical Specifications

Voltage	32VDC

Material Specifications

Fast Acting Automotive Glass Tube Fuse	
Fuse Clip Size	1/4"

Time vs. Percent of Rated Current Curve



Rev Date of issue Revision Notes

Designed Approved

C	09-20-2023	Format Update	RC	OF
---	------------	---------------	----	----