

Product Specifications

Part Numbers Information

Electrical Specifications

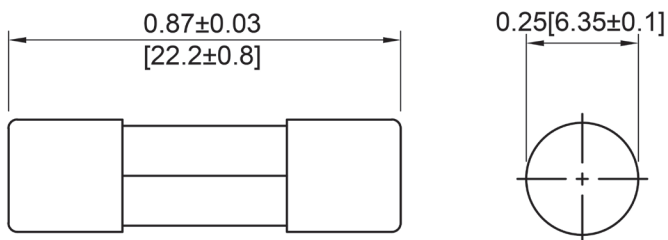
Voltage Rating:

- 250VAC (100mA~30A)
- 125VAC (100mA~30A)
- 32VAC (12A~30A)

Interrupting Rating

- 35A @250VAC (100mA~1A)
- 10kA @125VAC (100mA~10A)
- 100A @250VAC (1.25A~3.5A)
- 200A @250VAC (4A~30A)
- 1000A @32VAC (12A~30A)
- 100A @125VAC (12A~30A)

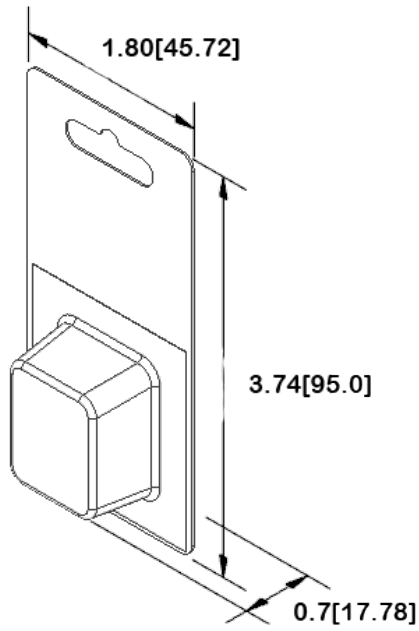
Mechanical Dimensions: Inches [mm]



Cartridge P/N	Amperage Rating
FSW-100mA	100mA
FSW-125mA	125mA
FSW-160mA	160mA
FSW-200mA	200mA
FSW-250mA	250mA
FSW-300mA	300mA
FSW-315mA	315mA
FSW-400mA	400mA
FSW-500mA	500mA
FSW-600mA	600mA
FSW-700mA	700mA
FSW-800mA	800mA
FSW-1A	1A
FSW-1.25A	1.25A
FSW-1.5A	1.5A
FSW-1.6A	1.6A
FSW-2A	2A
FSW-2.5A	2.5A
FSW-3A	3A
FSW-3.15A	3.15A
FSW-3.5A	3.5A
FSW-4A	4A
FSW-5A	5A
FSW-6A	6A
FSW-6.3A	6.3A
FSW-7A	7A
FSW-7.5A	7.5A
FSW-8A	8A
FSW-9A	9A
FSW-10A	10A
FSW-12A	12A
FSW-13A	13A
FSW-15A	15A
FSW-16A	16A
FSW-20A	20A
FSW-25A	25A
FSW-30A	30A

Blister Pack: Inches [mm]

Retail Pack Part Number Information



Ampere Rating	Retail Pack # Blister Card (1PCS)
1A	FSW-1A-BP
1.5A	FSW-1.5A-BP
2A	FSW-2A-BP
2.5A	FSW-2.5A-BP
3A	FSW-3A-BP
4A	FSW-4A-BP
5A	FSW-5A-BP
6A	FSW-6A-BP
7.5A	FSW-7.5A-BP
10A	FSW-10A-BP
15A	FSW-15A-BP
20A	FSW-20A-BP
25A	FSW-25A-BP
30A	FSW-30A-BP

Time vs Percent of Rated Current

% of Rated Current	Opening Time (100mA~30A)	
	Min	Max
100%	4hr	-
135%	-	3600s
200%	-	120s

Rev	Date of issue	Revision Notes	Designed	Approved
D	03-18-2025	Added Retail Pack Information	RC	OF