

Type LPA-03 In-Line Fuse Holder 1/4" x 1 1/4" (6.3 x 30mm) Fuses Splashproof



www.optifuse.com (619) 593-5050

Ratings:

Fuse Type: 1/4" x 1 1/4" (6.35 x 30mm or 6.35 x 32mm)

Electrical Rating: 30A, 250VAC, 32VDC

Body: Thermoplastic rubber / PVC

Contacts: Brass with tin plated

LPA-03Y

Standard Model with 18AWG wire gauge

LPA-03Y-##

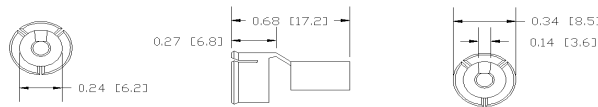
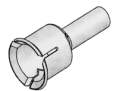
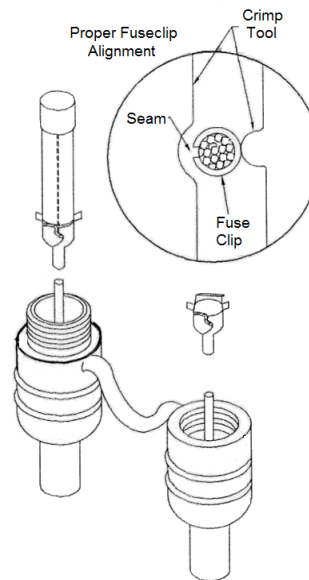
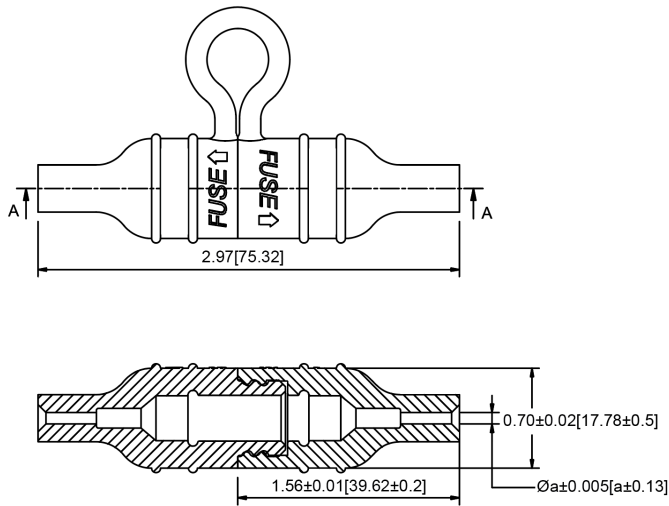
Nonstandard Model Where ## is wire gauge

LPA-03Y-##R

Where ## is pre-installed wire gauge

Wire	Øa
#10	4.4
#12, #14	3.2
#16	2.8
#18	2.4
#20	2.1

Mechanical Dimensions: Inches [mm]



Warning:



- Operation beyond the specified maximum ratings or improper use may result in damage and possible electrical arcing and/or flame.
- Avoid contact of device with chemical solvent. Prolonged contact will damage the device performance.
- Not designed for prolonged liquid exposure or submersible applications.