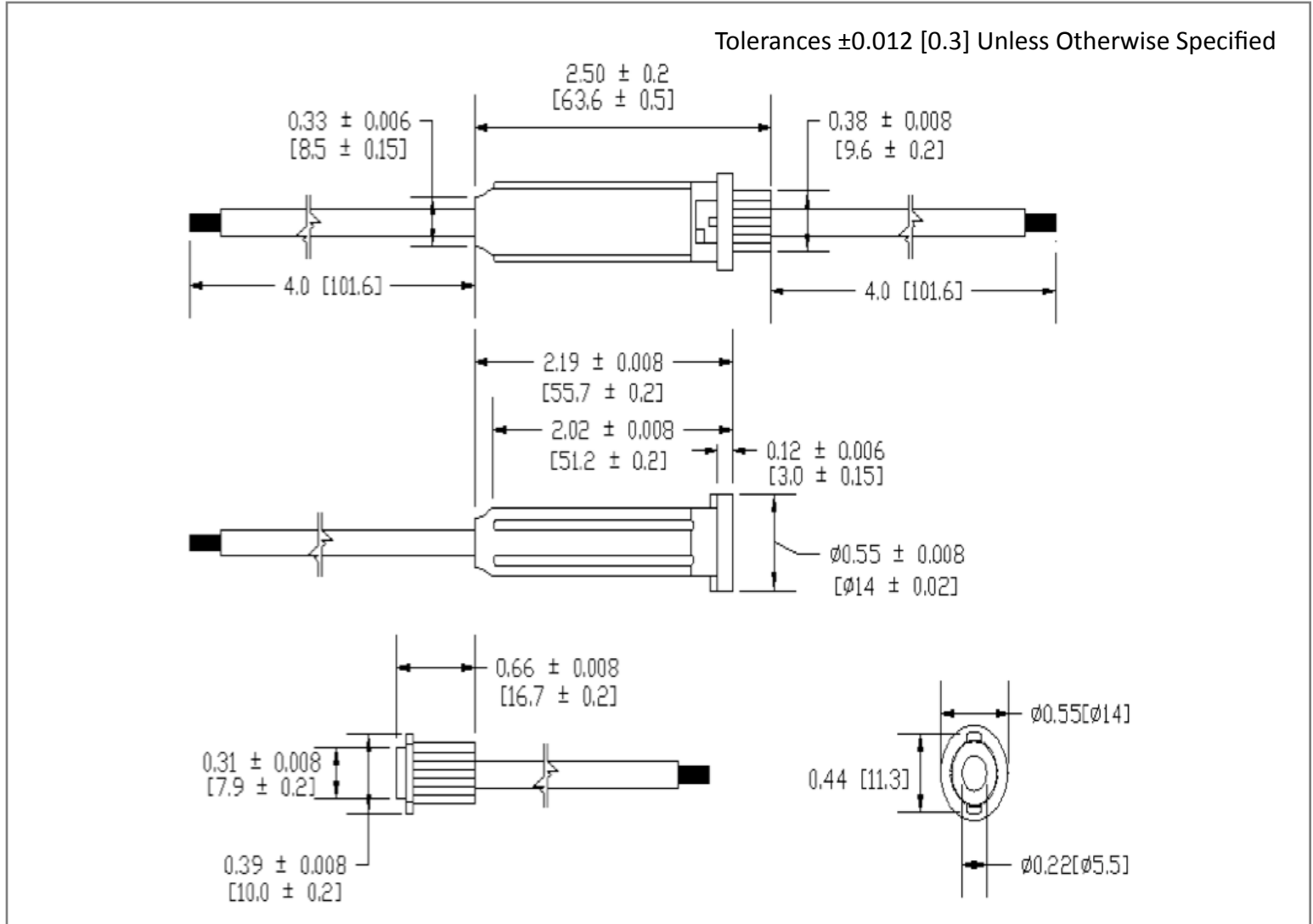


**Mechanical Dimensions: Inches [mm]**



**Part Numbers Information**

**LPA - 05**   **W**   -   **12**   **R**   -   **BP**

BODY COLOR	WIRE GAUGE	WIRE COLOR	PACKAGING
W: White	12: 12 AWG 14: 14 AWG 16: 16 AWG 18: 18 AWG	R: Red	Blank: Bulk BP: Blister Pack (1pc)

Wire Gauge	Max Amp.
12 AWG	30A
14 AWG	20A
16 AWG	15A
18 AWG	10A

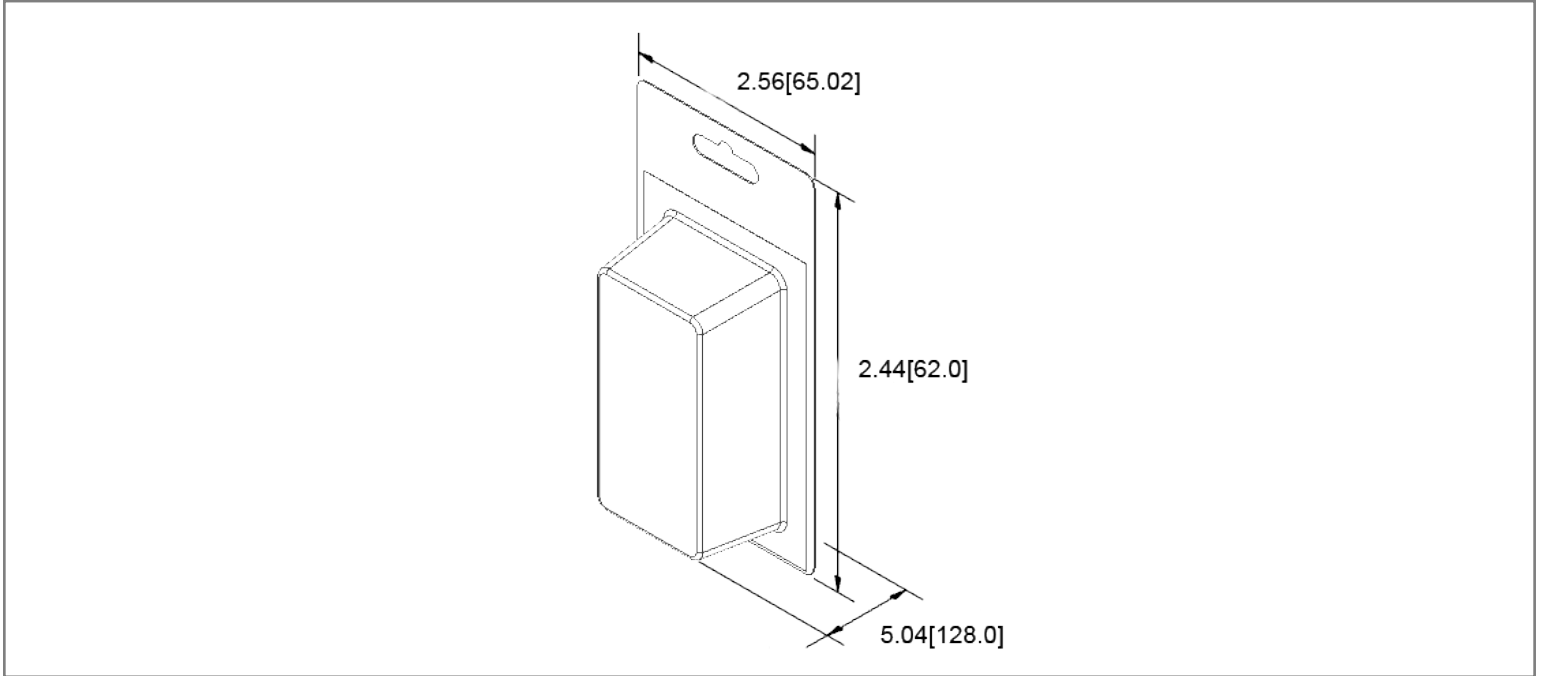
**Electrical Specifications**

<b>Voltage Rating</b>	250VAC; 32VDC

**Material Specifications**

For use with 6.3 x 32 mm Tube Fuses	
<b>Body Material</b>	Nylon
<b>Contact Material</b>	Brass
<b>Wire Length</b>	4" Each End
For custom inquiries please contact the factory	

Retail Pack: Inches [mm]



Rev	Date of issue	Revision Notes	Designed	Approved
A	01-05-2024	Initial Drawing	RC	OF