

Type LPA-10 In-Line Fuse Holder 1/4" x 1/4" (6.3 x 32mm) Fuses



www.optifuse.com (619) 593-5050

Ratings:

Fuse Type: 1/4" x 1/4" (6.3 x 32mm)
Electrical Rating: 250VAC, 32VDC
Body: Bakelite
Contacts: Brass
Standard Wire Sizes: #14~18 AWG
Standard Wire Colors: Red
Standard Body colors: Black
Standard Wire Length: 8 inch loop

Part number format

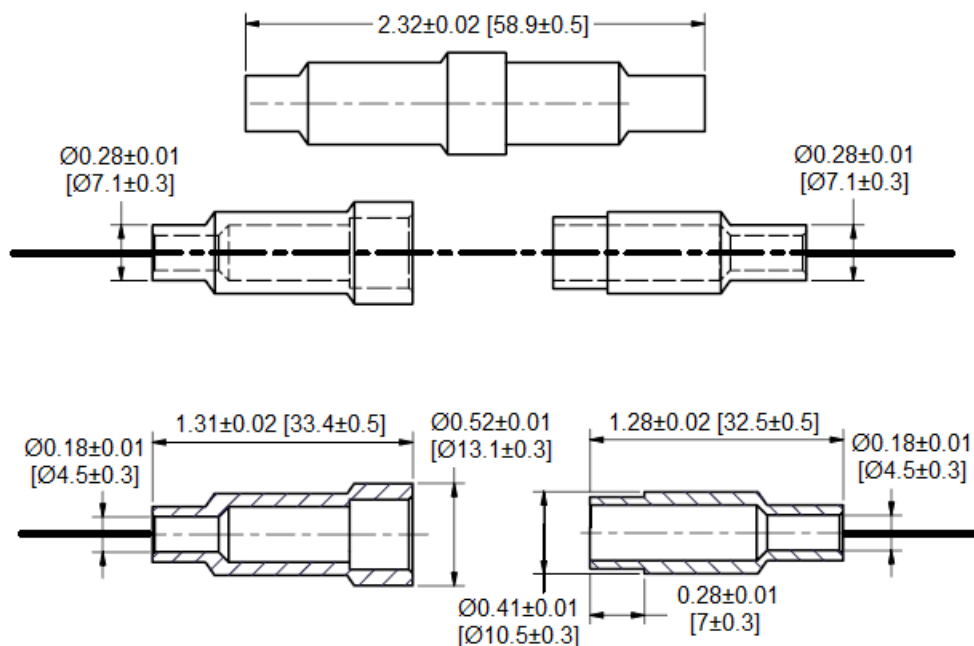
LPA-10B-##R
 where ## = Wire gauge

Wire Gauge	Max. Amperage
14 AWG	20 A
16 AWG	15 A
18 AWG	10 A



Available in various wire gauges and lengths, and body and wire colors. Contact factory for those not listed above.

Mechanical Dimensions: Inches [mm]



Warning:



- Operation beyond the specified maximum ratings or improper use may result in damage and possible electrical arcing and/or flame.
- Avoid contact of device with chemical solvent. Prolonged contact may damage the device performance.
- Not designed for prolonged liquid exposure or submersible applications.