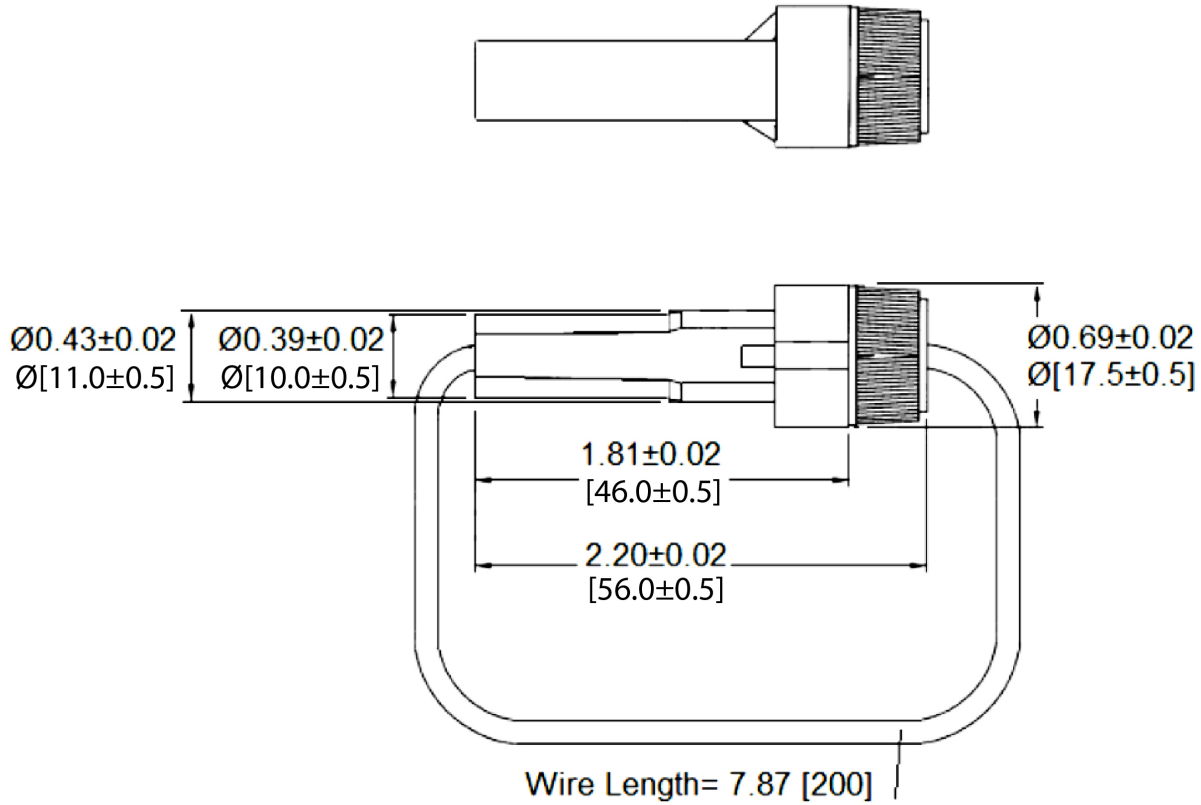
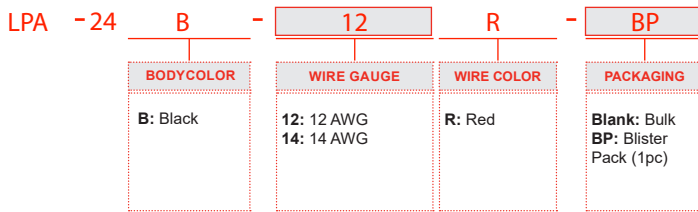


Mechanical Dimensions: Inches [mm]

Tolerances ± 0.012 [0.3] Unless Otherwise Specified



Part Numbers Information



Wire Gauge	Max Amp.
12 AWG	30A
14 AWG	20A

Electrical Specifications

Voltage Rating 250VAC; 32VDC

Material Specifications

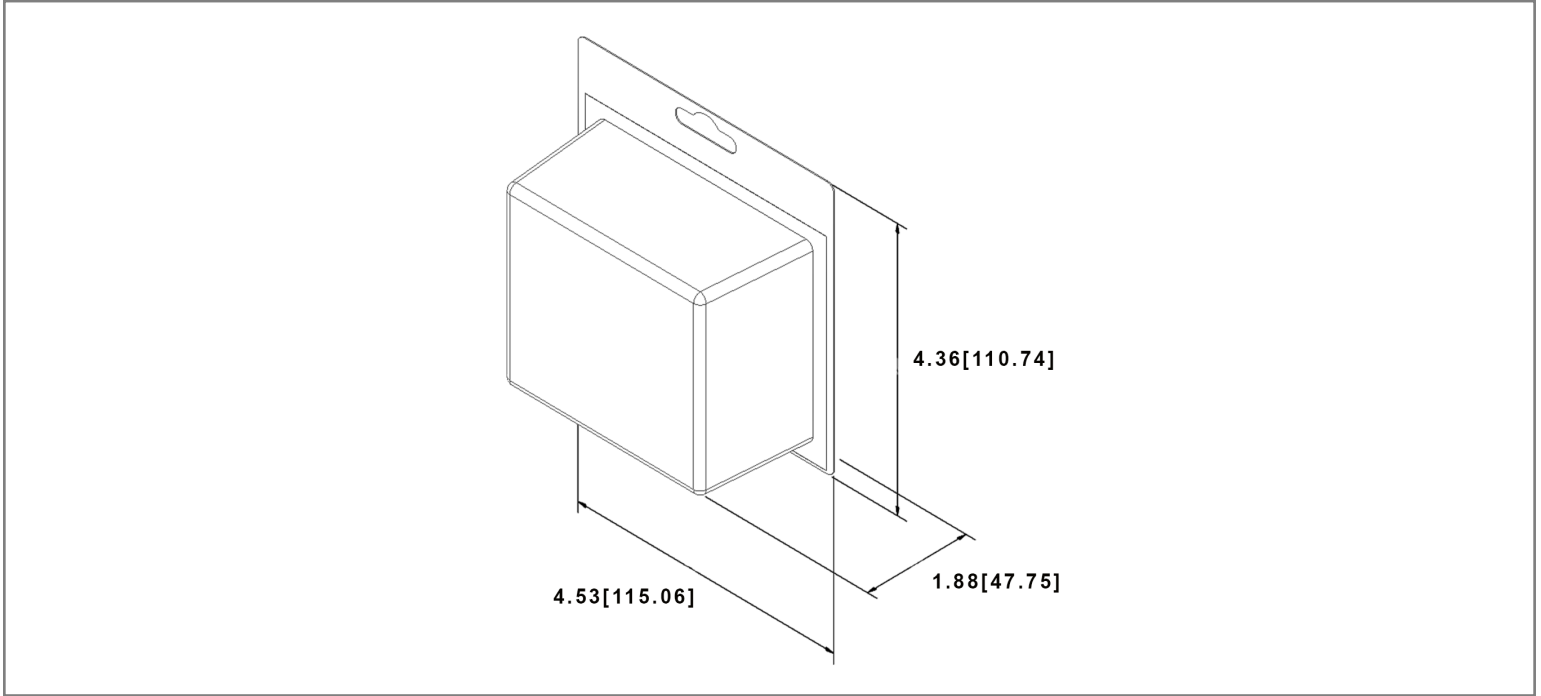
For use with 6.3 x 32 mm Tube Fuses

Body Material Phenolic (UL94V-1)

Wire Length 200mm loop

For custom inquiries please contact the factory

Retail Pack: Inches [mm]



Rev Date of issue Revision Notes

Designed Approved

C	04-09-2024	Initial Drawing	RC	OF
---	------------	-----------------	----	----