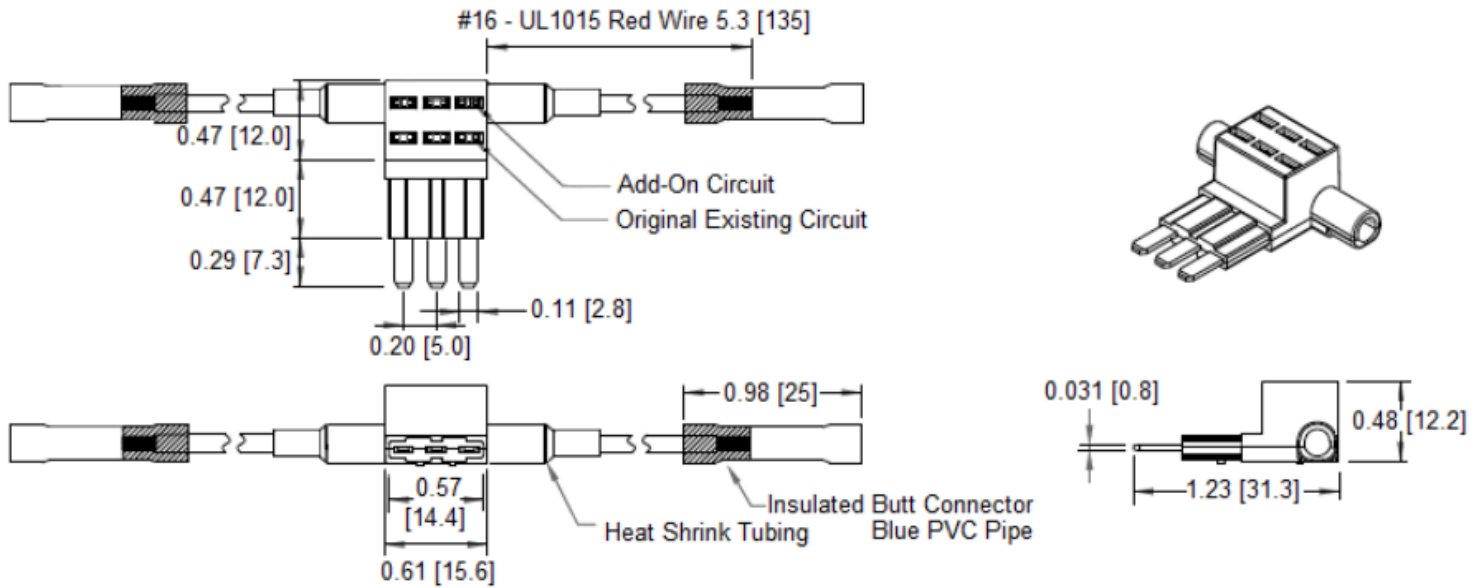


Mechanical Dimensions: Inches [mm]

Tolerances ± 0.012 [0.3] Unless Otherwise Specified



Part Numbers Information

Bulk Part #	Retail Pack #	Pack Size
LPK-08	LPK-08-BP	1

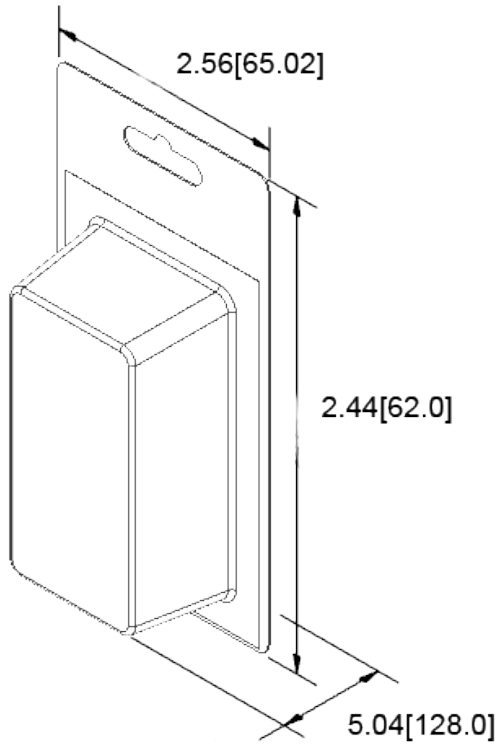
Electrical Specifications

Voltage Rating	125VDC
Current Rating (Combined Circuits)	40A
Current Rating (Primary Circuit)	20A
Current Rating (Auxiliary Circuit)	15A

Material Specifications

For Use With ANK (MICRO3 Style) Blade Fuses	
Body Material	Nylon PA66 (UL94V-0)
Terminals Material	Brass, Tin Plated
Wire Type	16 AWG; UL 1015; Red
Connector Type	Butt-Splice Connector

Retail Pack: Inches [mm]



Rev	Date of issue	Revision Notes	Designed	Approved
B	07-09-2024	Updated Voltage Rating	RC	OF