

Type LPR-02 In-Line Fuse Holder Automotive Blade Fuses - APRs Splashproof Type



www.optifuse.com

(619) 593-5050

Ratings:

- Fuse Type:** Automotive Blade – APRs, ANRs
- Electrical Rating:** 58VDC
- Temperature Rating:** -40° C to 85° C
- Body:** PVC (UL94V-0)
- Contacts:** Brass
- IP Rating:** IP65
- Wire Type:** UL1015 rated to FT1 (VW1) – Stranded
- Standard Wire Sizes:** #12 ~ #20 AWG
- Standard Wire Colors:** Red, Black, Orange, Yellow
- Standard Body colors:** Black
- Standard Wire Length:** 4 inches

Part number format

LPR-02B-##Z

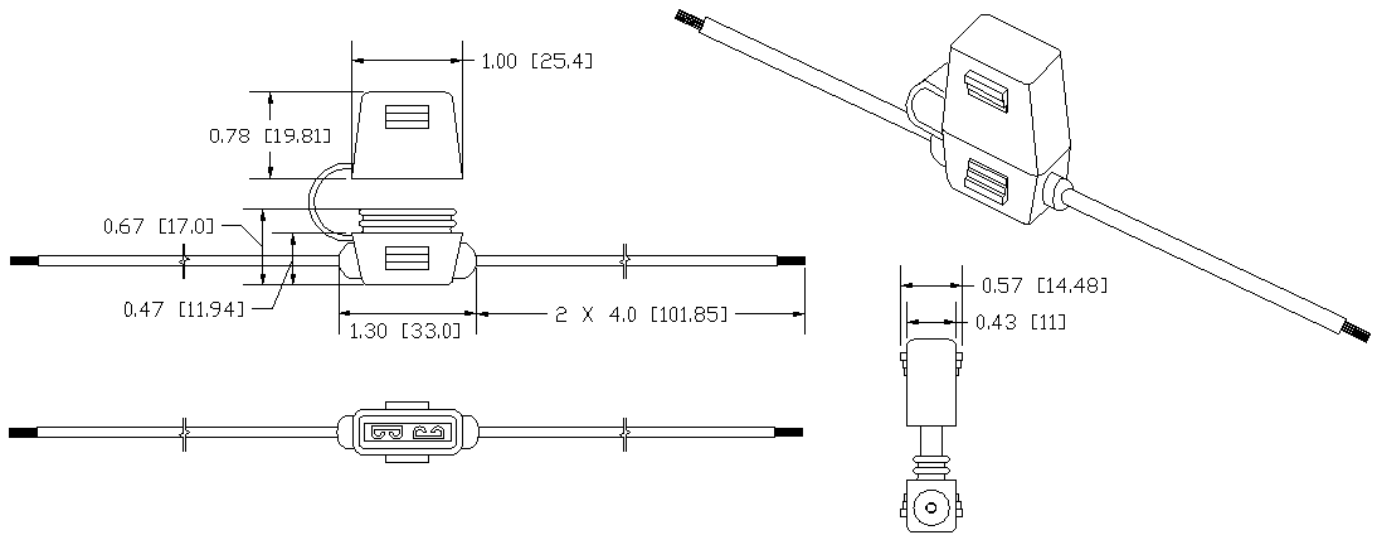
Where ## = Wire Gauge

Z = Wire color (R, Y, OR, B)

Wire Gauge	Max. Amperage
#12	30A
#14	20A
#16	15A
#18	10A
#20	7.5A

Available in various wire gauges and lengths, and body and wire colors.
Contact factory for those not listed above.

Mechanical Dimensions: Inches [mm]



Warning:



- Operation beyond the specified maximum ratings or improper use may result in damage and possible electrical arcing and/or flame.
- Avoid contact of device with chemical solvent. Prolonged contact may damage the device performance.
- Not designed for prolonged liquid exposure or submersible applications.