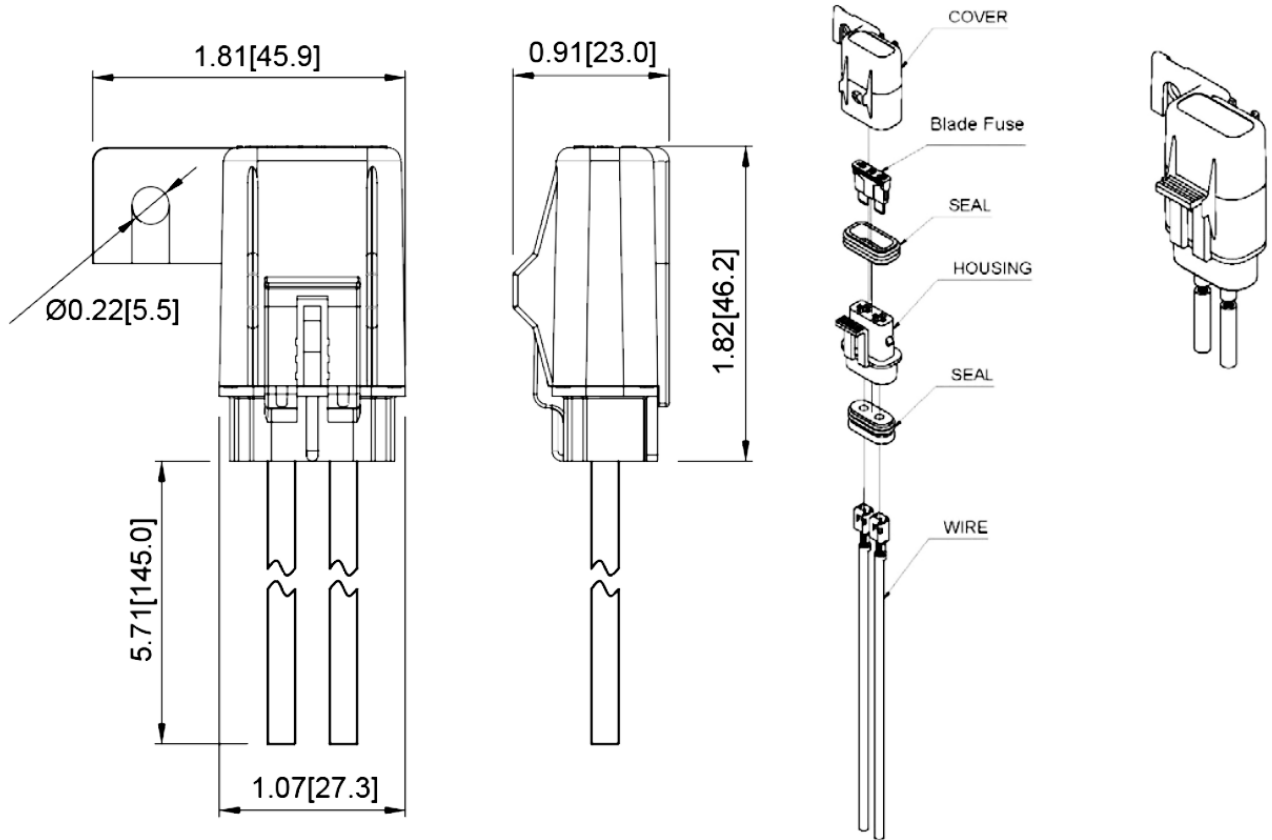
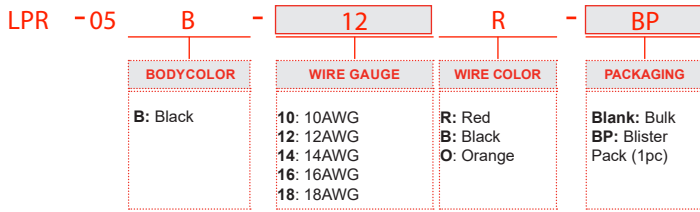


**Mechanical Dimensions: Inches [mm]**

Tolerances  $\pm 0.012$  [0.3] Unless Otherwise Specified



**Part Numbers Information**



Wire Gauge	Max Amp.
10 AWG	40A
12 AWG	30A
14 AWG	20A
16 AWG	15A
18 AWG	10A

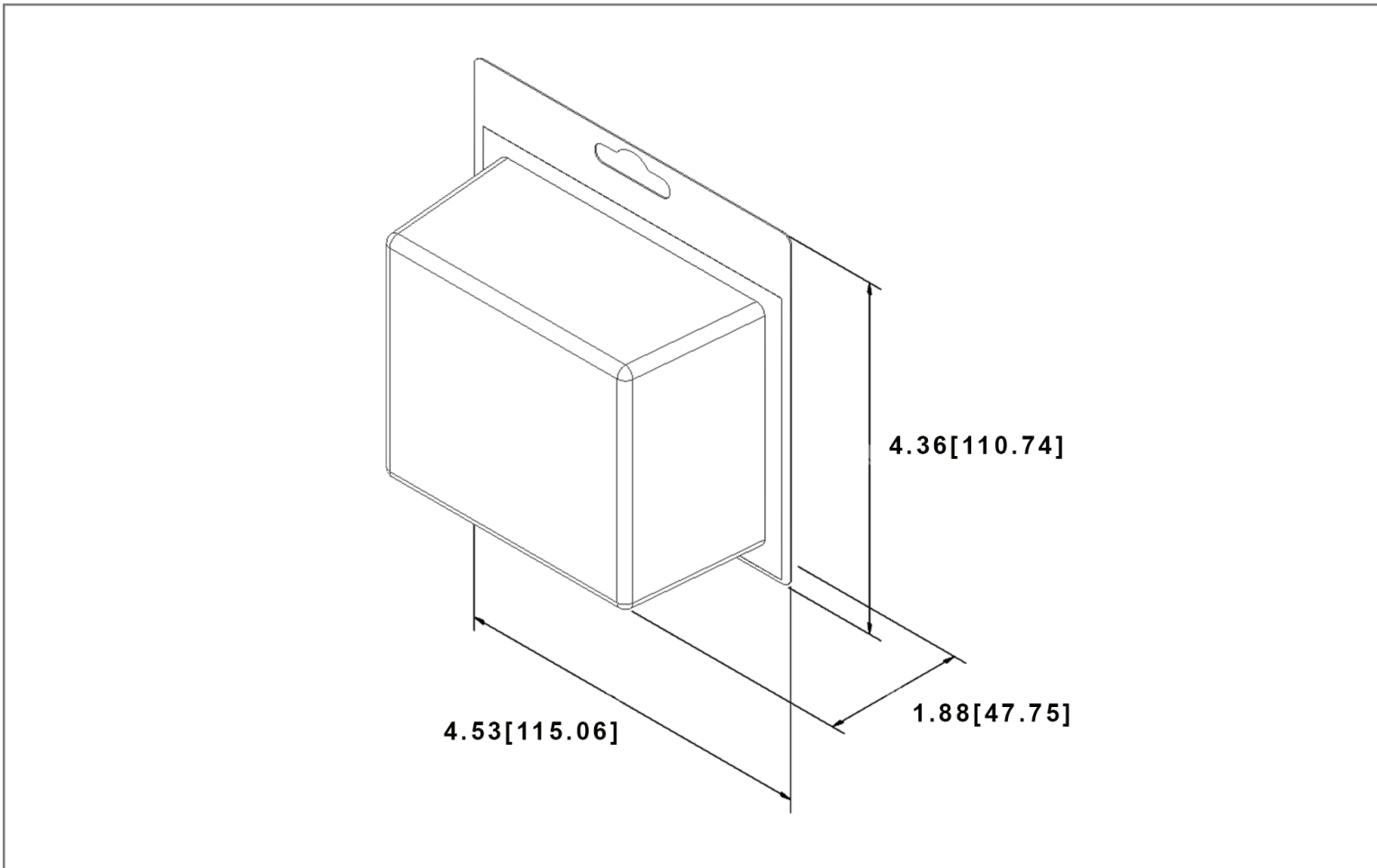
**Electrical Specifications**

<b>Voltage Rating</b>	58V

**Material Specifications**

For use with APR and ANR Regular (ATO/ATC Style) Blade Fuses	
<b>Body Material</b>	PVC
<b>Ingress Protection</b>	IP67
Attached Mounting Bracket	
For custom inquiries please contact the factory	

Retail Pack: Inches [mm]



**Rev**    **Date of issue**    **Revision Notes**

**Designed**    **Approved**

F	04-11-2024	Initial Drawing	RC	OF
---	------------	-----------------	----	----