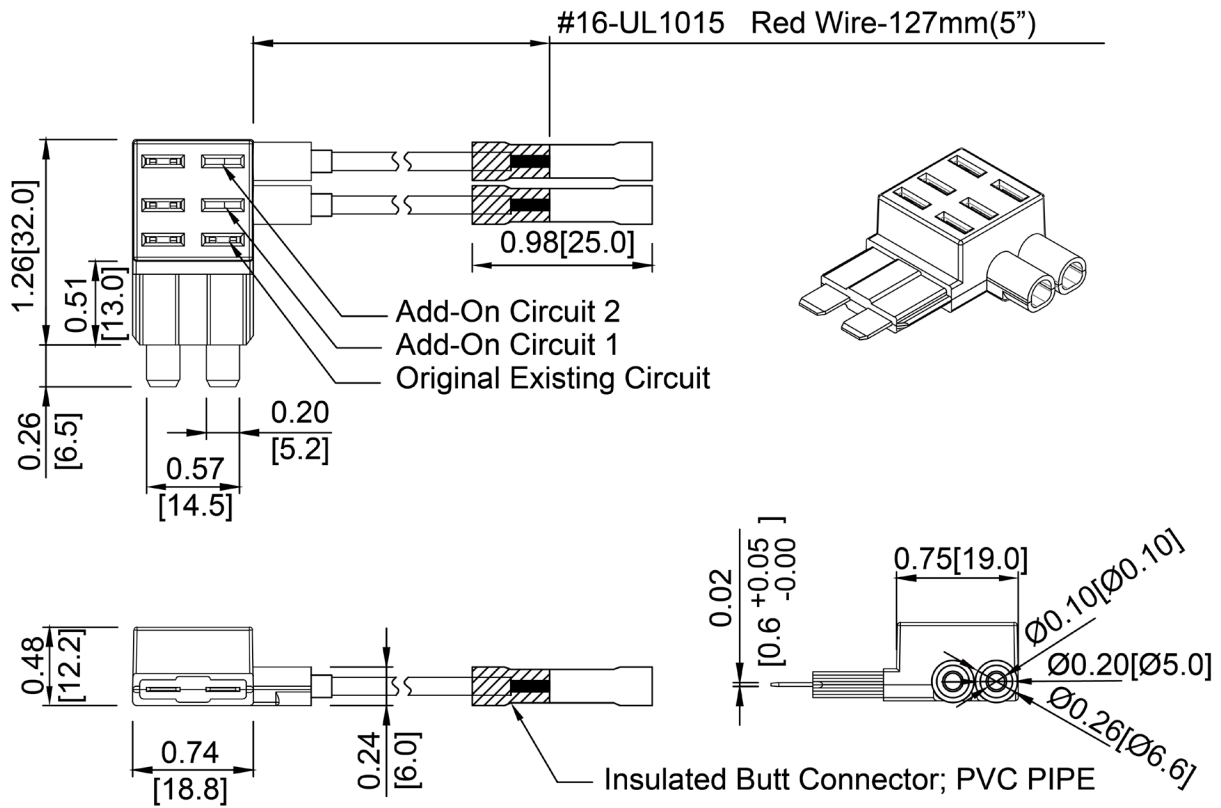


Mechanical Dimensions: Inches [mm]

Tolerances ± 0.012 [0.3] Unless Otherwise Specified



Electrical Specifications

Existing Circuit	40A 125VDC; 250VAC
Add-on Circuit 1	15A 125VDC; 250VAC
Add-on Circuit 2	15A 125VDC; 250VAC
Total Current Rating (Combined All Circuits)	40A Max (Existing + Add-On 1 + Add-On 2)

Material Specifications

For Regular (ATO/ATC Style) Blade Fuses	
Body Material	Nylon with Glassfiber (UL94V-0), Black
Terminal Material	Brass, Tin Plated
Wire Type	#16 AWG UL 1015 Red Wire; End with insulated crimp-type coupler blue butt connector
*For alternative wire sizes or color, please contact the factory	

**Regular (ATO/ATC Style) Blade Fuse
Add-A-Fuse**

LPR-08-3



Rev Date of issue Revision Notes

Designed Approved

C	02-24-2025	Updated Circuit Ratings	RC	OF
---	------------	-------------------------	----	----