

# Type LPR-08

## “Add-On” Automotive Fuse Holder

### Regular Automotive Blade Type Fuse



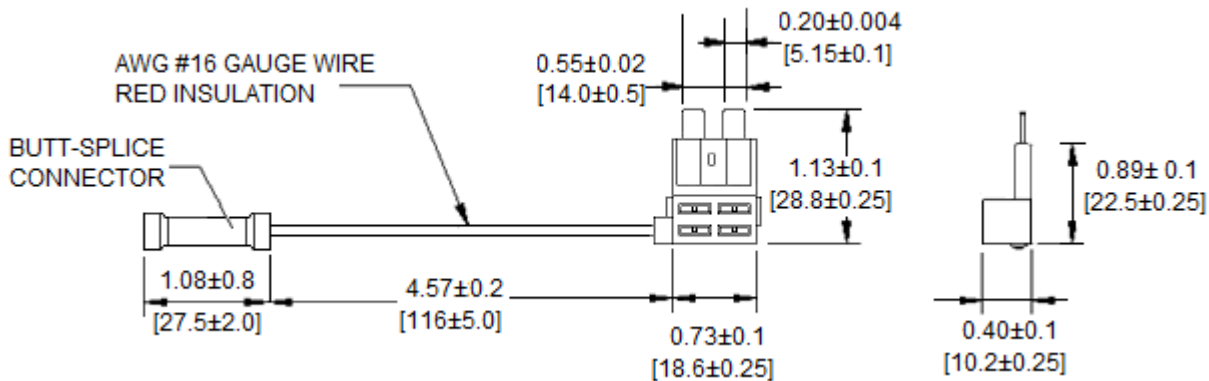
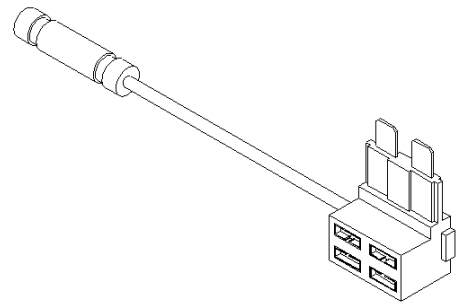
www.optifuse.com

(619) 593-5050

Rating: 32VDC  
 Max Combined Current - Both Circuits - 30A  
 Max Primary Circuit - 25A  
 Max Auxiliary Circuit - 15A

Body Material: PVC  
 For use with Type APR Fuse (Regular Automotive Blade Type)  
 Wire: 16 AWG Red Wire  
 Connector: Butt-Splice Connector

**Mechanical Dimensions: Inches [mm]**



	<p><b>Warning:</b> -Operation beyond the specified maximum ratings or improper use may result in damage and possible electrical arcing and/or flame.</p>
	<p>-Device is intended for occasional overcurrent protection. Application for repeated overcurrent condition and/or prolonged trip are not anticipated.</p> <p>-Avoid contact of device with chemical solvent. Prolonged contact will damage the device performance.</p>