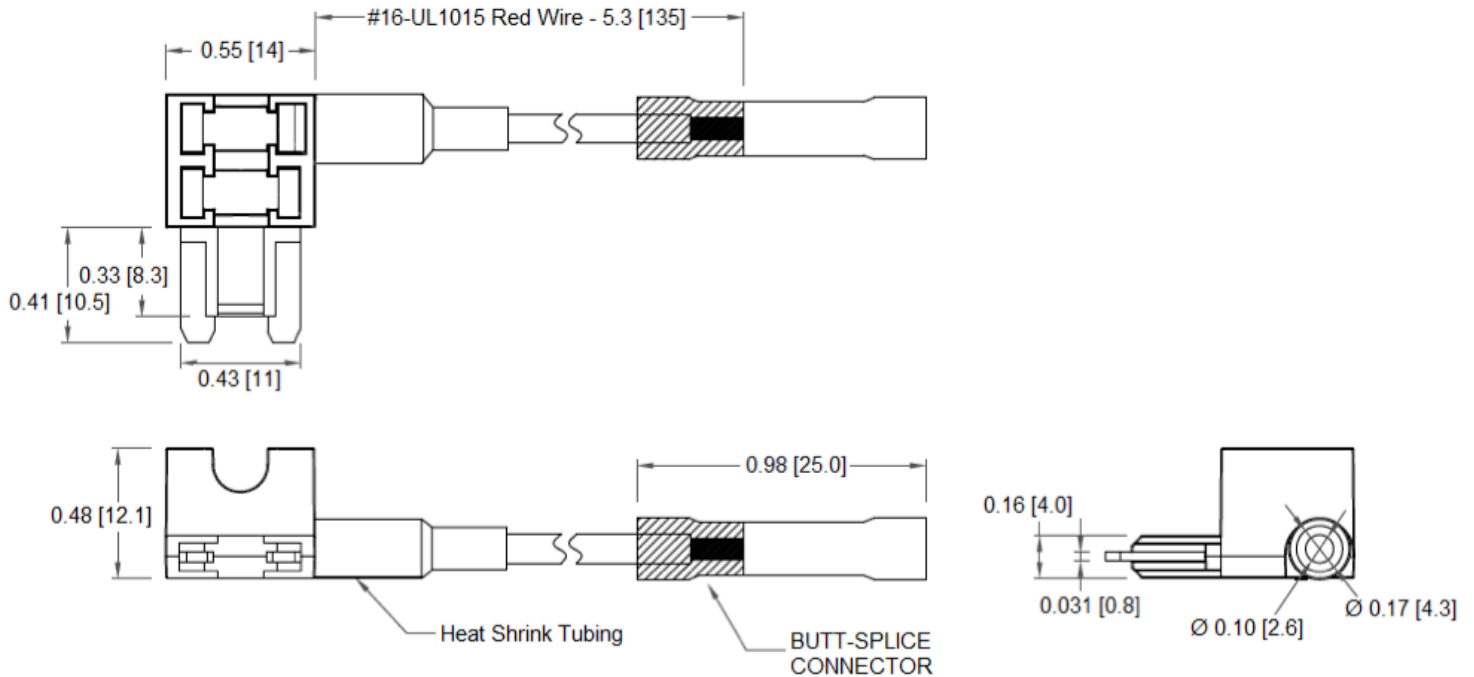


**Mechanical Dimensions: Inches [mm]**

Tolerances  $\pm 0.012$  [0.3] Unless Otherwise Specified



**Part Numbers Information**

Bulk Part #	Retail Pack #	Pack Size
LPS-08	LPS-08-BP	1

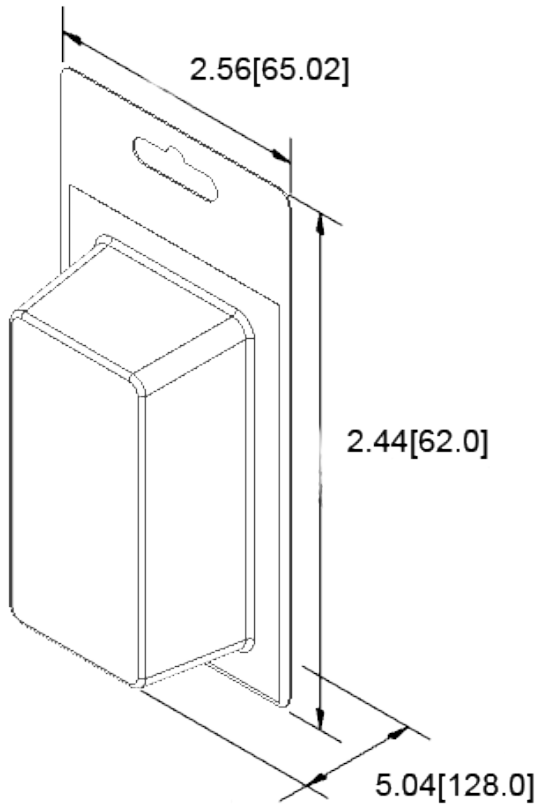
**Electrical Specifications**

Voltage Rating	58VDC
Max, Current Rating (Primary Circuit)	30A
Max, Current Rating (add-on circuit)	20A
Max, Current Rating (Combined Circuits)	40A

**Material Specifications**

For Use With ANS and APS (Low Profile, Miniature) Blade Fuses	
Body Material	Thermoplastic
Wire Type	16 AWG; Red
Connector Type	Butt-Splice Connector

Retail Pack: Inches [mm]



Rev	Date of issue	Revision Notes	Designed	Approved
A	01-05-2024	Initial Drawing	RC	OF