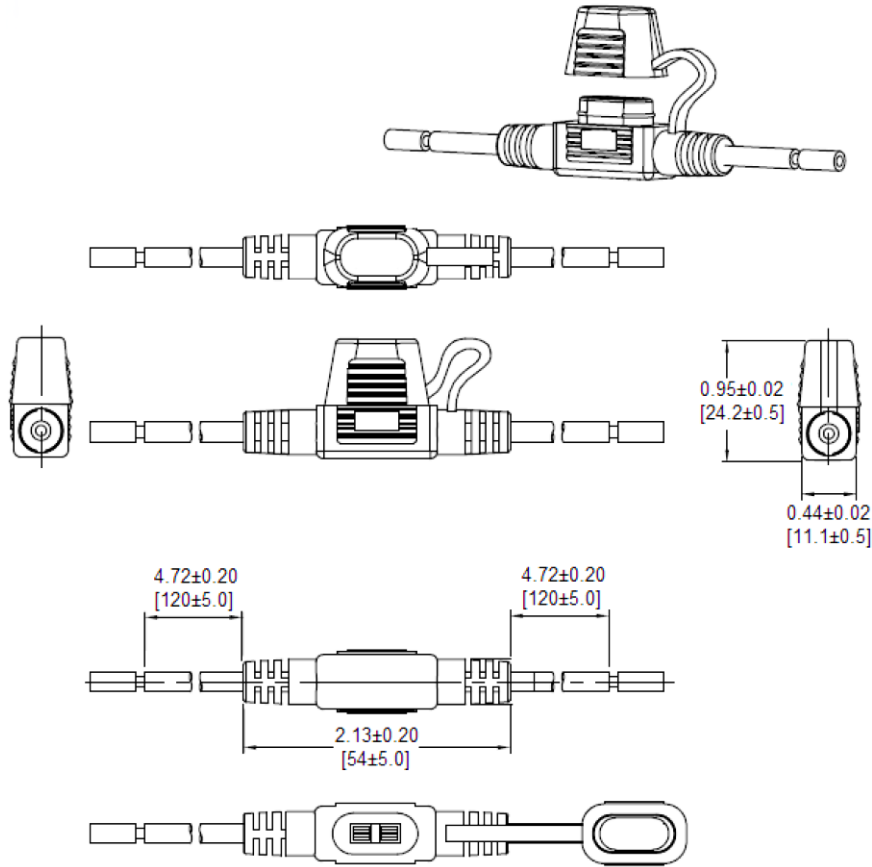
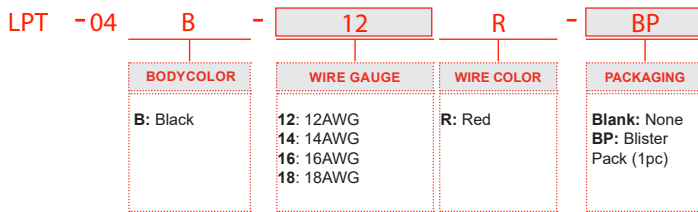


Mechanical Dimensions: Inches [mm]

Tolerances ± 0.012 [0.3] Unless Otherwise Specified



Part Numbers Information



Wire Gauge	Max Amp.
12 AWG	30A
14 AWG	20A
16 AWG	15A
18 AWG	10A

Electrical Specifications

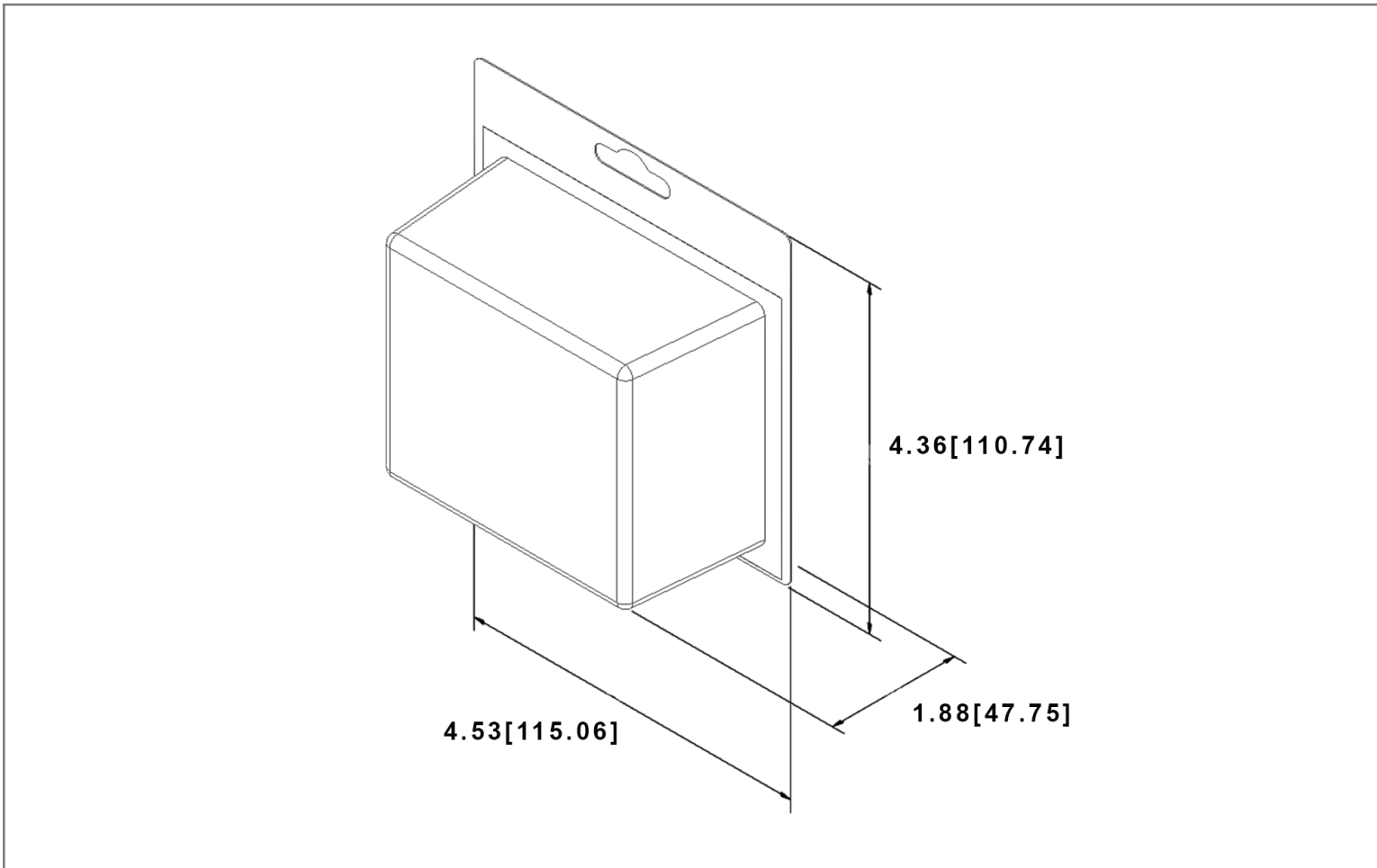
Voltage Rating	32VDC

Material Specifications

	For use with APT and ANT MICRO2 Style Blade Fuses
Body Material	PVC
Contact Material	Brass, Tin Plated
Wire Length	5"
Wire Type	UL 1015
Ingress Protection	IP67

For custom inquiries please contact the factory

Retail Pack: Inches [mm]



Rev Date of issue Revision Notes

Designed Approved

B	04-11-2024	Initial Drawing	RC	OF
---	------------	-----------------	----	----