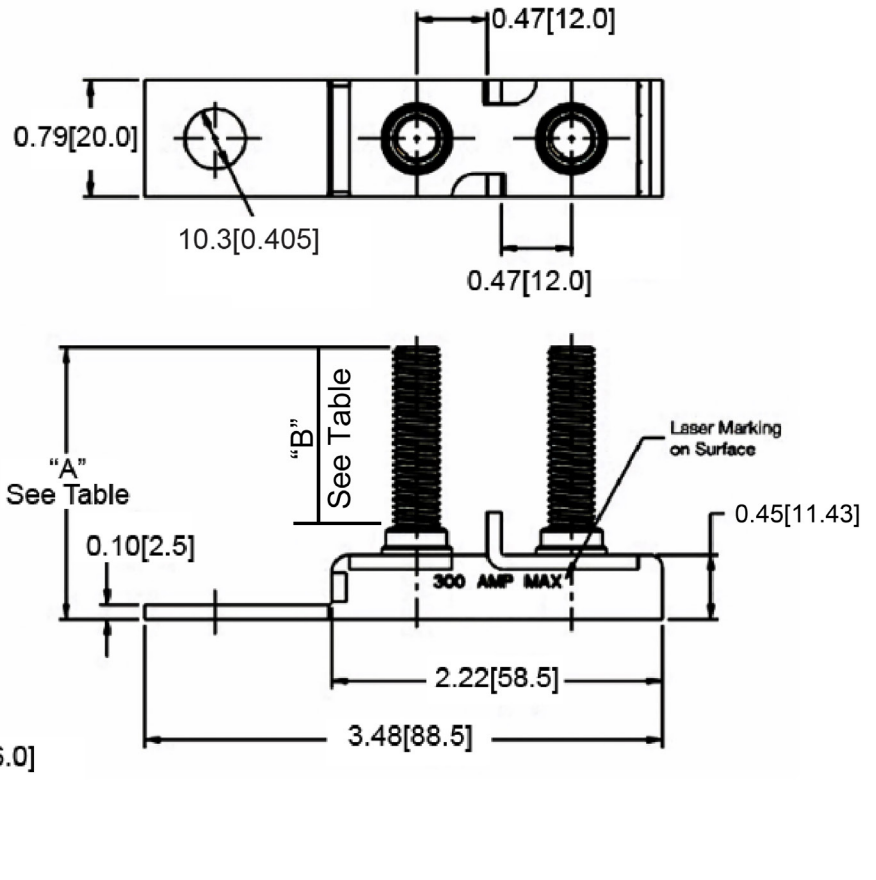


Mechanical Dimensions: Inches [mm]

Tolerances ± 0.012 [0.3] Unless Otherwise Specified



Part Numbers Information

Series	Terminal Size (X)	Number of Studs	Cover
MBPH (M10 mounting stud)	1/4" M8	2	C: (cover) Blank: (no cover)

Part Size Information

Terminal Stud	Dim "A"	Dim "B"
M8	1.85 [47.0]	1.275 [32.4]
1/4"	1.61 [41.0]	1.2 [30.5]

Electrical Specifications

Voltage	58VDC
Amperage	300A

Material Specifications

Mounting Stud	M10 (3/8")
Maximum Torque	75 in-lb
Cover Material	Red PE
Terminal Studs	M8 or 1/4"

**Double Bar Fuse Holder for
Battery Protection Fuses**

MBPH-X-2-C



Rev Date of issue Revision Notes

Designed Approved

B	10-09-2023	Format update	RC	OF
---	------------	---------------	----	----