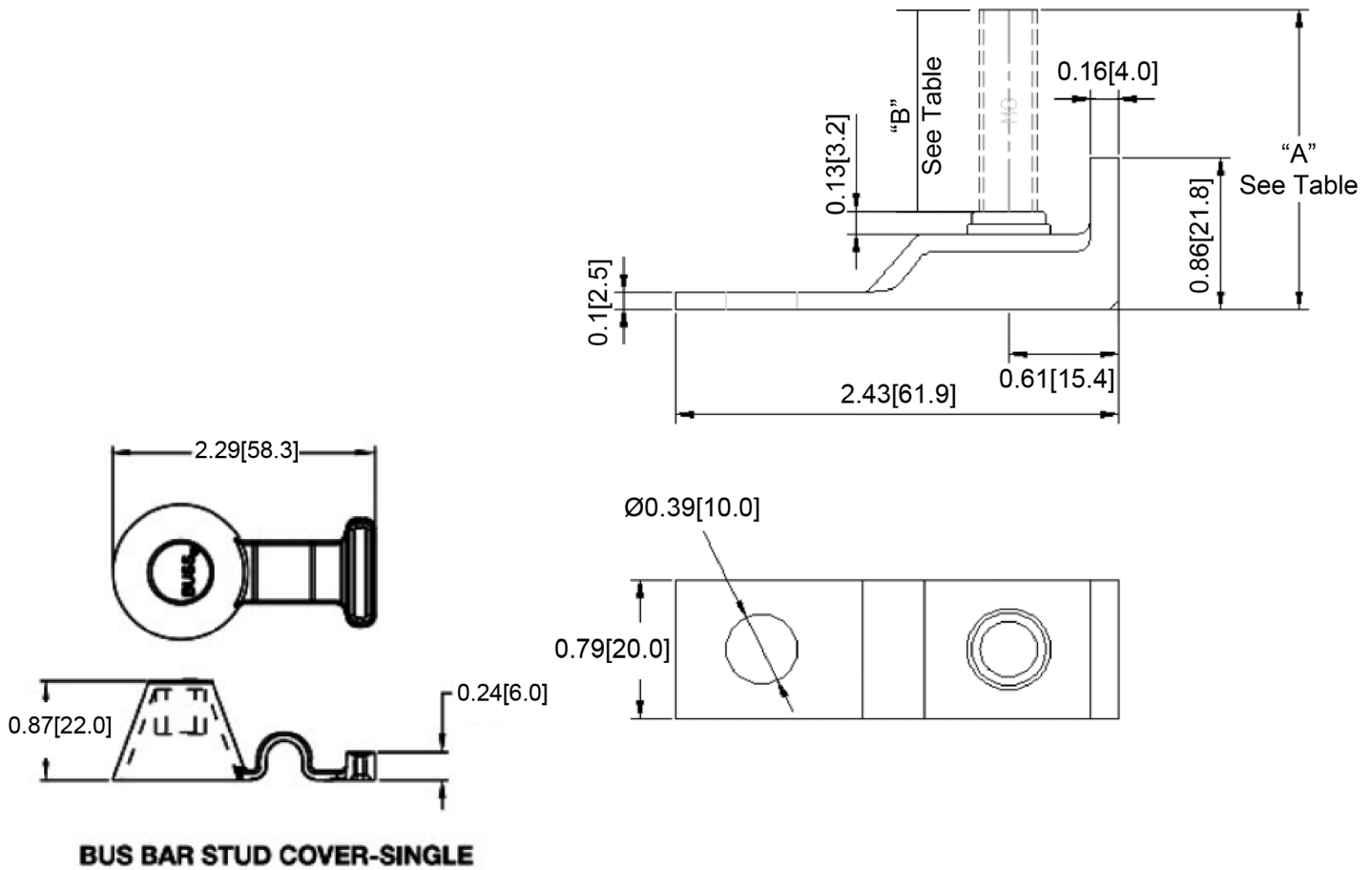


Mechanical Dimensions: Inches [mm]

Tolerances ± 0.012 [0.3] Unless Otherwise Specified



BUS BAR STUD COVER-SINGLE

Part Numbers Information

| Series | - Terminal Size (X) - | Cover |
|--------------------------|-----------------------|---|
| MBPH (M10 mounting stud) | 1/4" M8 | C: (cover) Blank: (no cover) |

Part Size Information

| Terminal Stud | Dim "A" | Dim "B" |
|---------------|-------------|--------------|
| M8 | 1.85 [47.0] | 1.275 [32.4] |
| 1/4" | 1.61 [41.0] | 1.035 [26.3] |

Electrical Specifications

| | |
|-----------------|--------|
| Voltage | 58V DC |
| Amperage | 300A |
| | |
| | |

Material Specifications

| | |
|-----------------------|------------|
| Mounting Stud | M10 (3/8") |
| Maximum Torque | 75 in-lb |
| Cover Material | Red PE |
| Terminal Studs | M8 or 1/4" |
| | |

**Single Bar Fuse Holder with
Cover for Battery Protection Fuses**

MBPH-X-C



Rev Date of issue Revision Notes

Designed Approved

| | | | | |
|---|------------|---------------|----|----|
| C | 10-09-2023 | Format update | RC | OF |
|---|------------|---------------|----|----|