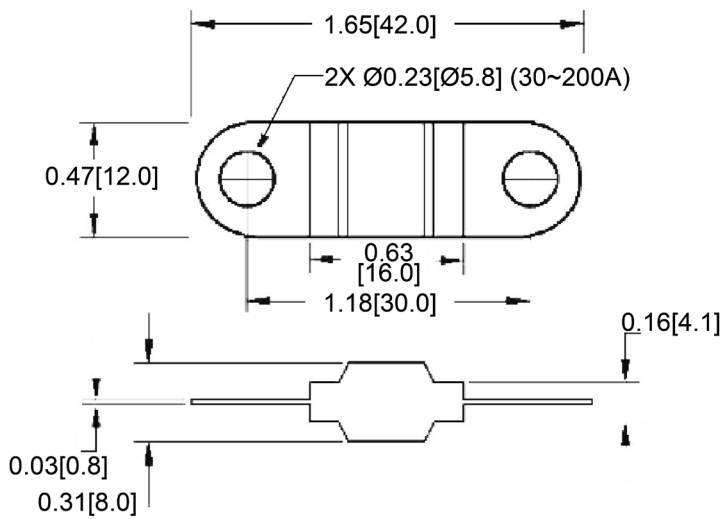
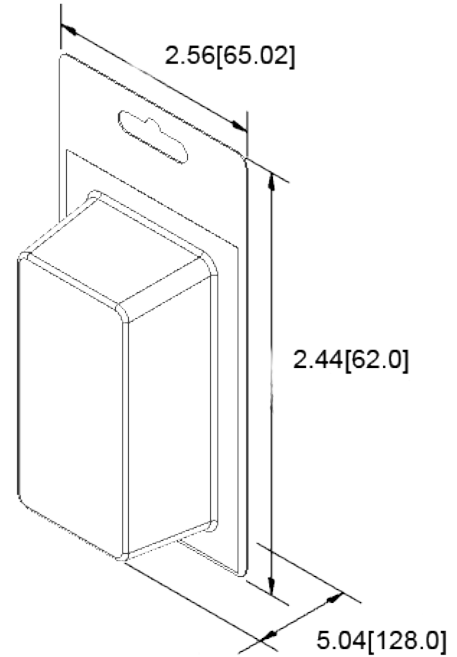


Mechanical Dimensions: Inches [mm]

Unless otherwise specified all tolerances are +/- 0.02in (0.5mm)



Retail Pack: Inches [mm]



Part Numbers Information

Amperage	Bulk Part Number	Retail Pack # Blister Card	Pack Size	Color
30	MIDA-30A	MIDA-30A-BP	1	Orange
40	MIDA-40A	MIDA-40A-BP	1	Green
50	MIDA-50A	MIDA-50A-BP	1	Red
60	MIDA-60A	MIDA-60A-BP	1	Yellow
70	MIDA-70A	MIDA-70A-BP	1	Brown
80	MIDA-80A	MIDA-80A-BP	1	Clear
100	MIDA-100A	MIDA-100A-BP	1	Blue
125	MIDA-125A	MIDA-125A-BP	1	Pink
150	MIDA-150A	MIDA-150A-BP	1	Gray
175	MIDA-175A	MIDA-175A-BP	1	Tan
200	MIDA-200A	MIDA-200A-BP	1	Violet

Electrical Specifications

Voltage Rating	32VDC; 58VDC
Interrupting Rating	2000A @ 32VDC; 1000A @ 58VDC
Operating Temperature	-40°C ~ 125°C

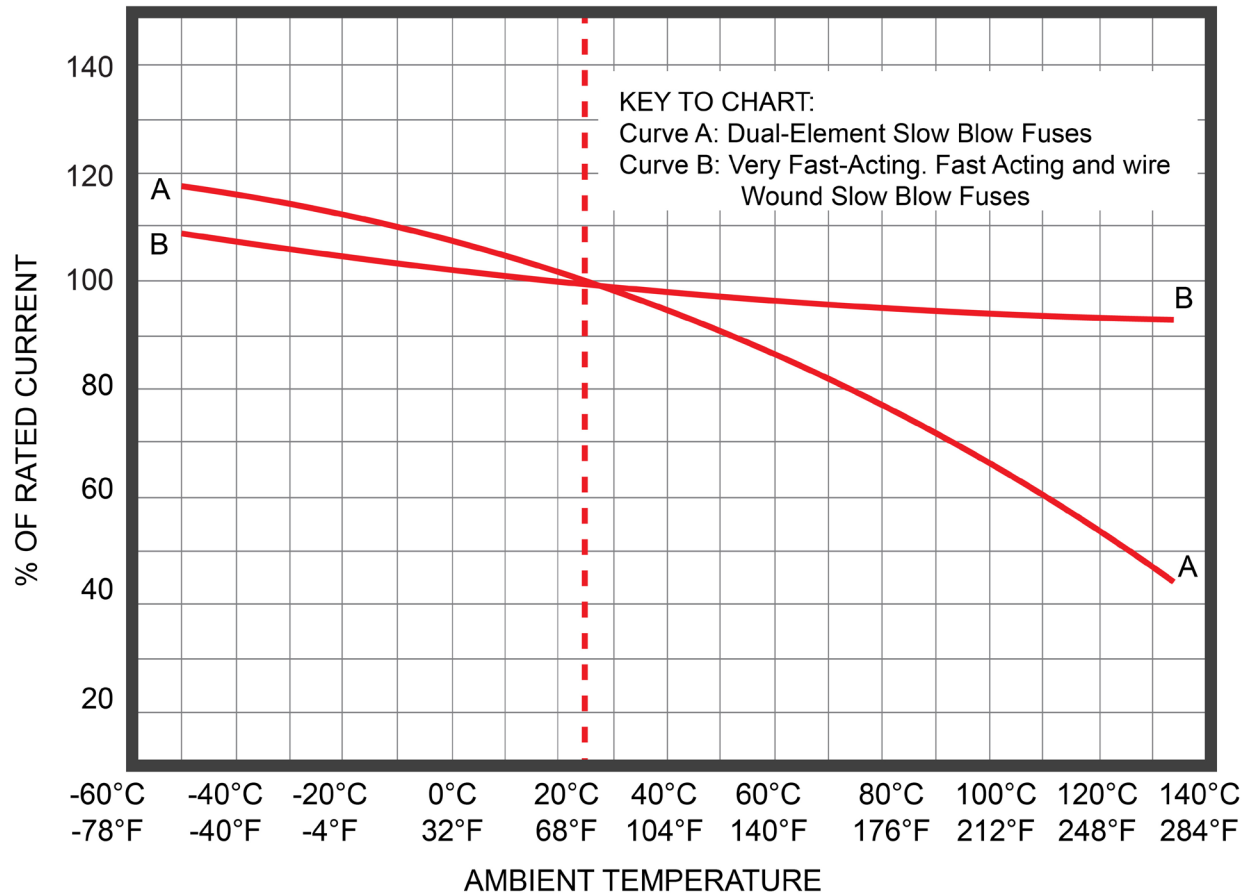
Material Specifications

Body Material	PEI (UL94V-0)
Terminal Material	Zinc Alloy
Mounting Style	2x M5 bolts (30A~175A) 2x M6 bolts (200A)
Recommended Tightening Torque	2.0~3.0 Nm

Time vs Percent of Rated Current

% of Rated Current	Opening Time	
	Min	Max
110%	4 hr	-
150%	90s	3600s
200%	1s	100s
300%	300ms	3s
500%	100ms	1s

Derating Curve



*Graphical data is for reference only. Product should be tested in all applications before use.

Rev	Date of issue	Revision Notes	Designed	Approved
N	08-14-2025	Updated Mechanical Dimension	RC	OF