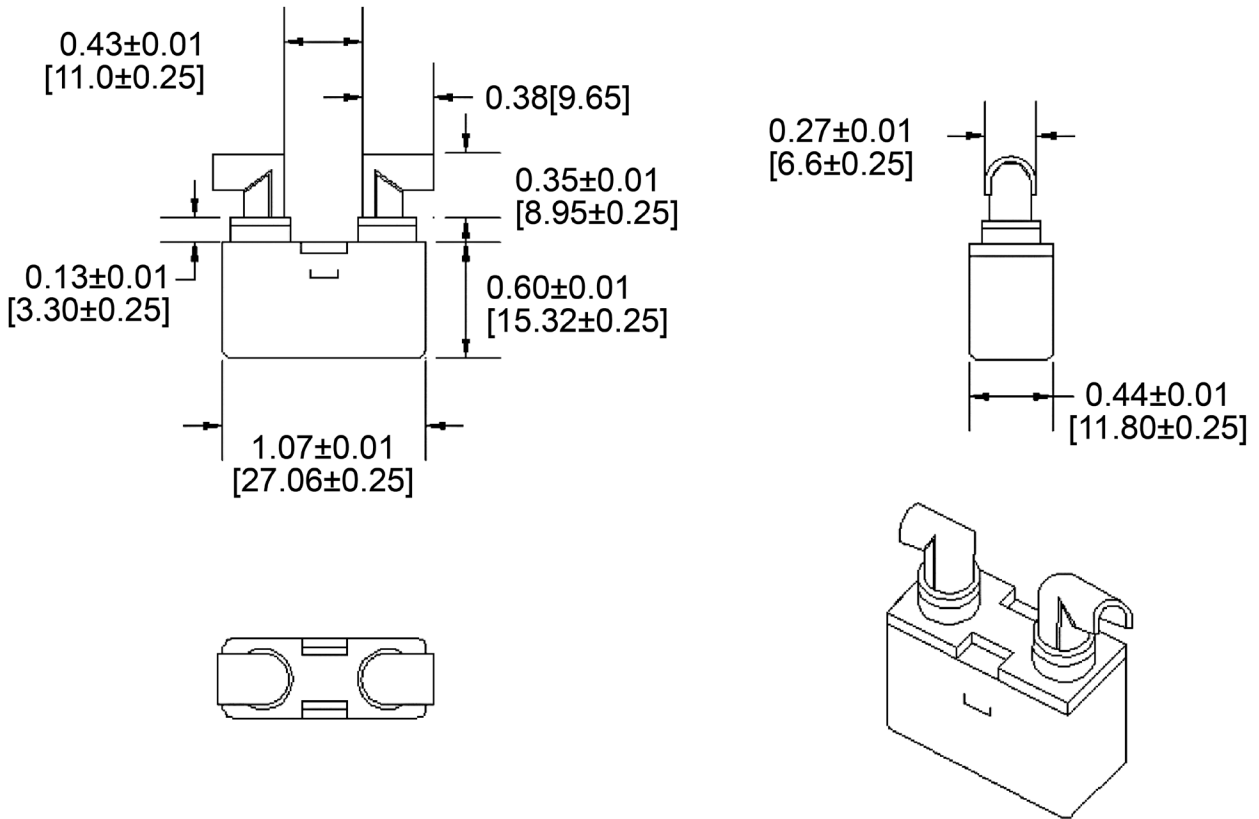


Mechanical Dimensions: Inches [mm]

Tolerances ± 0.012 [0.3] Unless Otherwise Specified



Part Number Information

Optifuse P/N	Amperage
MOCB2-CL-10A	10A
MOCB2-CL-15A	15A
MOCB2-CL-20A	20A
MOCB2-CL-25A	25A
MOCB2-CL-30A	30A
MOCB2-CL-35A	35A
MOCB2-CL-40A	40A

Electrical Specifications

Voltage Rating 12VDC

Type II Circuit Breaker

Meets SAE J553 Requirements

Material Specifications

Body Material Metal

Time vs Percent of Rated Current

<u>Percent of Rated Current</u>	<u>Opening Time</u>
100% ± 1.5%	>30min
135% ± 1.5%	<30min
200% ± 1.5%	<1min

Rev	Date of issue	Revision Notes	Designed	Approved
C	01-31-2025	Initial Drawing	RC	OF