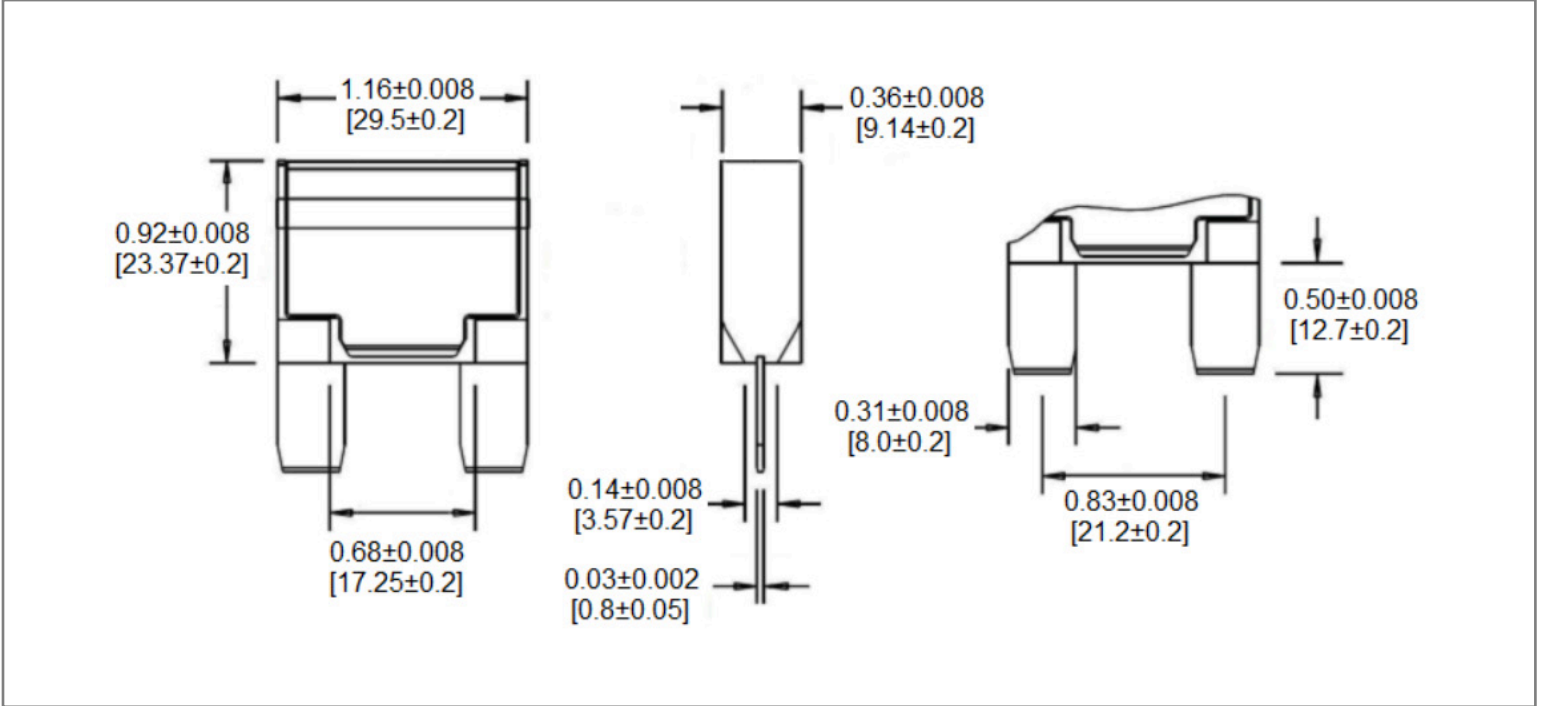


Mechanical Dimensions: Inches [mm]



Part Numbers Information

Optifuse P/N	Amperage
MOCBM-2PX-10A	10A
MOCBM-2PX-15A	15A
MOCBM-2PX-20A	20A
MOCBM-2PX-25A	25A
MOCBM-2PX-30A	30A
MOCBM-2PX-35A	35A
MOCBM-2PX-40A	40A
MOCBM-2PX-50A	50A

Electrical Specifications

Voltage Rating	28VDC
Reset Type	Type II - Modified Reset
Operation Temperature	-29°C ~ 85°C
Testing	SAE J553 Type II

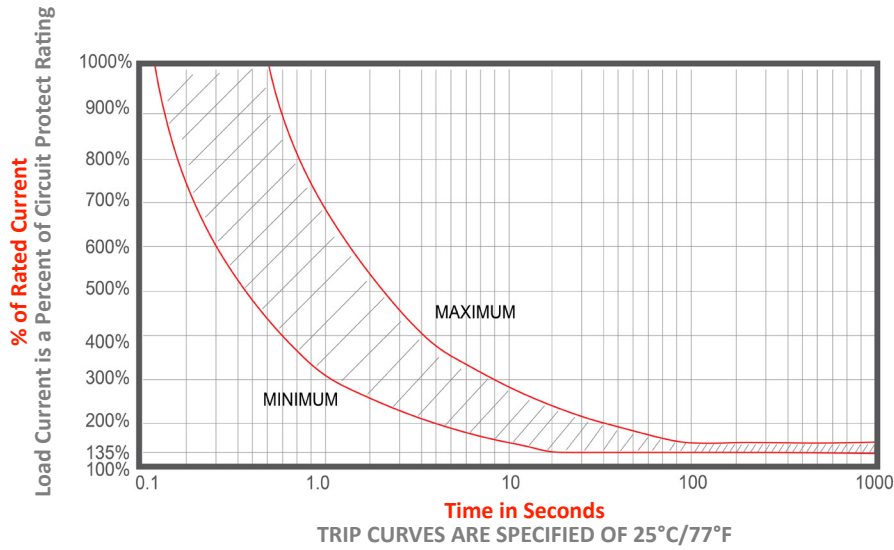
Material Specifications

Maxi Blade Circuit Breaker	
Body Material	Grey Thermoplastic - (UL Rated 94V-0)
Terminals Material	Brass, Tin Plated

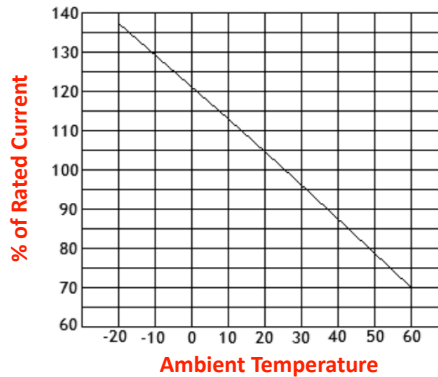
Interrupt Rating

Ampere Rated	Interrupt Rating
10A version	100 @28VDC
15A version	150 @28VDC
20A version	200 @28VDC
25A - 30A version	300 @28VDC
35A - 40A version	400 @28VDC
50A version	500 @28VDC

Time vs. Percent of Rated Current



Temperature Derating Curve



Rev Date of issue Revision Notes

Designed Approved

B	09-15-2023	updated format	RC	OF
---	------------	----------------	----	----