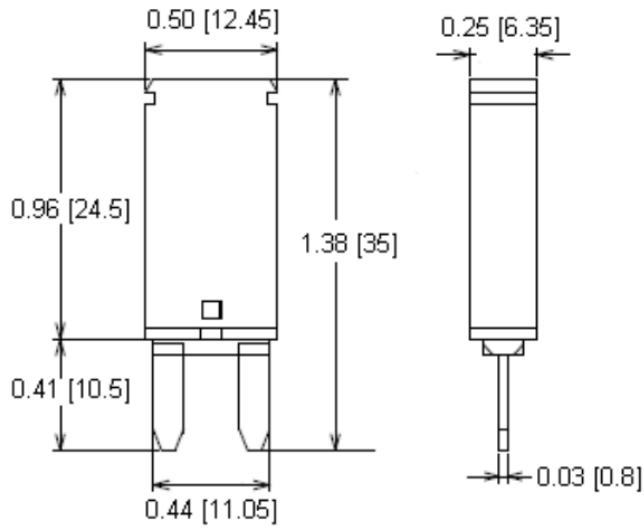


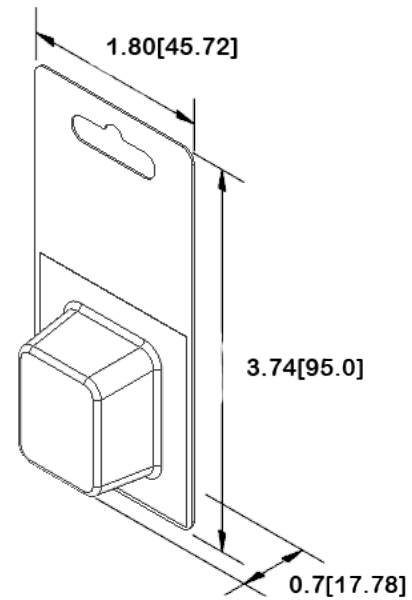
Mechanical Dimensions: Inches [mm]

Retail Pack: Inches [mm]

Unless otherwise specified all tolerances are +/- 0.02in (0.5mm)



Retail Pack



Part Numbers Information

Optifuse P/N	Amperage	Body Color
MOCBP4-PM-5A	5A	Tan
MOCBP4-PM-7.5A	7.5A	Brown
MOCBP4-PM-10A	10A	Red
MOCBP4-PM-15A	15A	Blue
MOCBP4-PM-20A	20A	Yellow
MOCBP4-PM-25A	25A	White
MOCBP4-PM-30A	30A	Green

Electrical Specifications

Voltage Rating	14VDC
Reset Type	Type II - Modified Reset
Operation Temperature	-40°C ~ 85°C
Testing	SAE J553 Type II

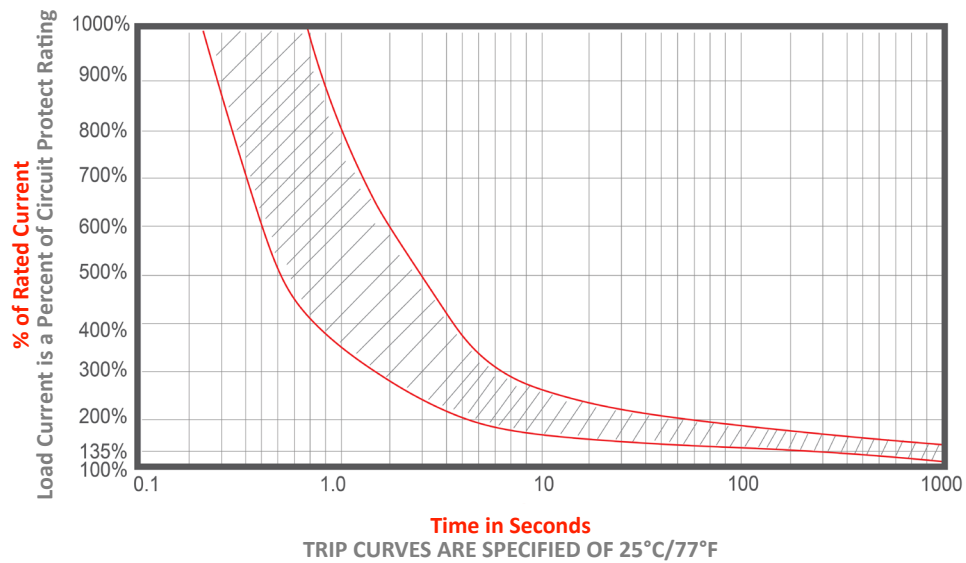
Material Specifications

Miniature Blade Circuit Breaker	
Body Material	Thermoplastic - (UL Rated 94V-0)
Terminals Material	Tin plated Copper Alloy

Interrupt Rating

Ampere Rated	Interrupt Rating
5A-10A version	150A @ 14 VDC
15A version	225A @ 14 VDC
20A version	300A @ 14 VDC
25A-30A version	450A @ 14 VDC

Time vs. Percent of Rated Current



Rev	Date of issue	Revision Notes	Designed	Approved
B	09-15-2023	Initial Drawing	RC	OF