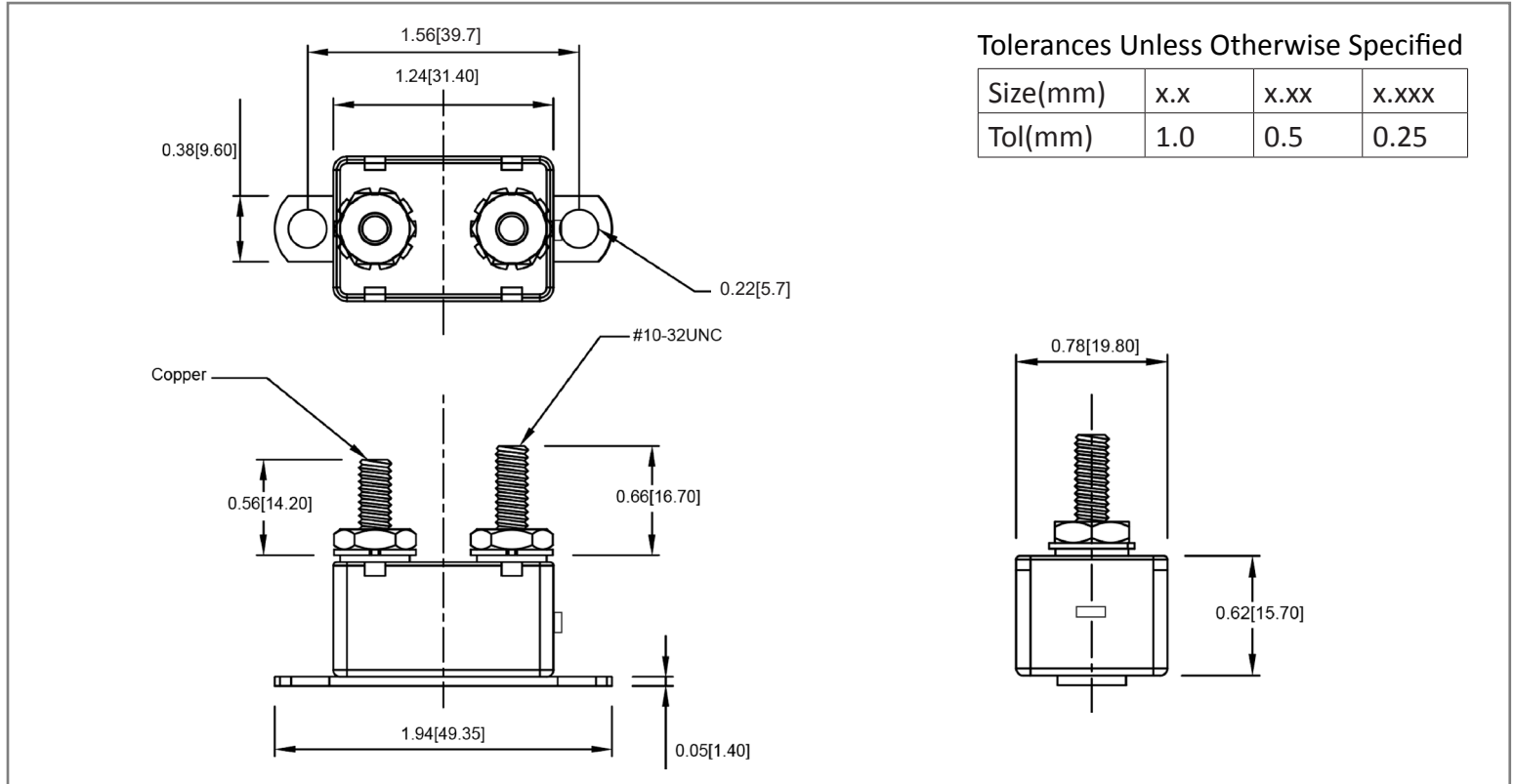


Mechanical Dimensions: Inches [mm]



Tolerances Unless Otherwise Specified

| | | | |
|----------|-----|------|-------|
| Size(mm) | x.x | x.xx | x.xxx |
| Tol(mm) | 1.0 | 0.5 | 0.25 |

Part Numbers Information

| Optifuse P/N | Current |
|---------------|---------|
| MRCB-24-V-10A | 10A |
| MRCB-24-V-15A | 15A |
| MRCB-24-V-20A | 20A |
| MRCB-24-V-25A | 25A |
| MRCB-24-V-30A | 30A |
| MRCB-24-V-40A | 40A |
| MRCB-24-V-50A | 50A |

Time vs. Percent of Rated Current

| % of Rated Current | Min Trip Time | Max Trip Time |
|--------------------|---------------|---------------|
| 100% | 30m | - |
| 135% | - | 30m |
| 200% | - | 1m |

Electrical Specifications

| | |
|------------------------------|-------------------------|
| Voltage | 24VDC |
| Reset Type | Type III - Manual Reset |
| Interrupting Rating | 2000A@24VDC |
| Operation Temperature | -40°C ~ 80°C |
| Compliances | SAE J553 |

Material Specification

| | |
|--------------------------------|-------------------------------------|
| Body Material | Plated Steel |
| Terminals Material | Battery – Copper, Auxiliary – Zinc |
| Terminals Configuration | #10-32 Stud |
| Mounting Type | Bracket attached crosswise the case |

**10-32 Stud (Shortstop Style)
Circuit Breaker**

MRCB-24-V



Rev Date of issue Revision Notes

Designed Approved

| | | | | |
|---|------------|-----------------|----|----|
| B | 08-25-2023 | Initial Drawing | RC | OF |
|---|------------|-----------------|----|----|