

**Type PMA-DB-05-Q1R** (formerly PDA-01)  
**Panel Mount Fuse Holder**  
**1/4" x 1 1/4" (6.3 x 30mm) Fuses**  
**Driver / Bayonet**



www.optifuse.com

(619) 593-5050

**Electrical Rating:** 15A, 250V AC

**Fuse Style:** 1/4" x 1 1/4" (6.3 x 32mm)

**Material:**

**Frame and Cap:** PBT (UL flame: 94V-0)

**Terminals:** Tin-plated brass

**Cap:** Slotted Driver type, Bayonet type

**Mounting:** by nut

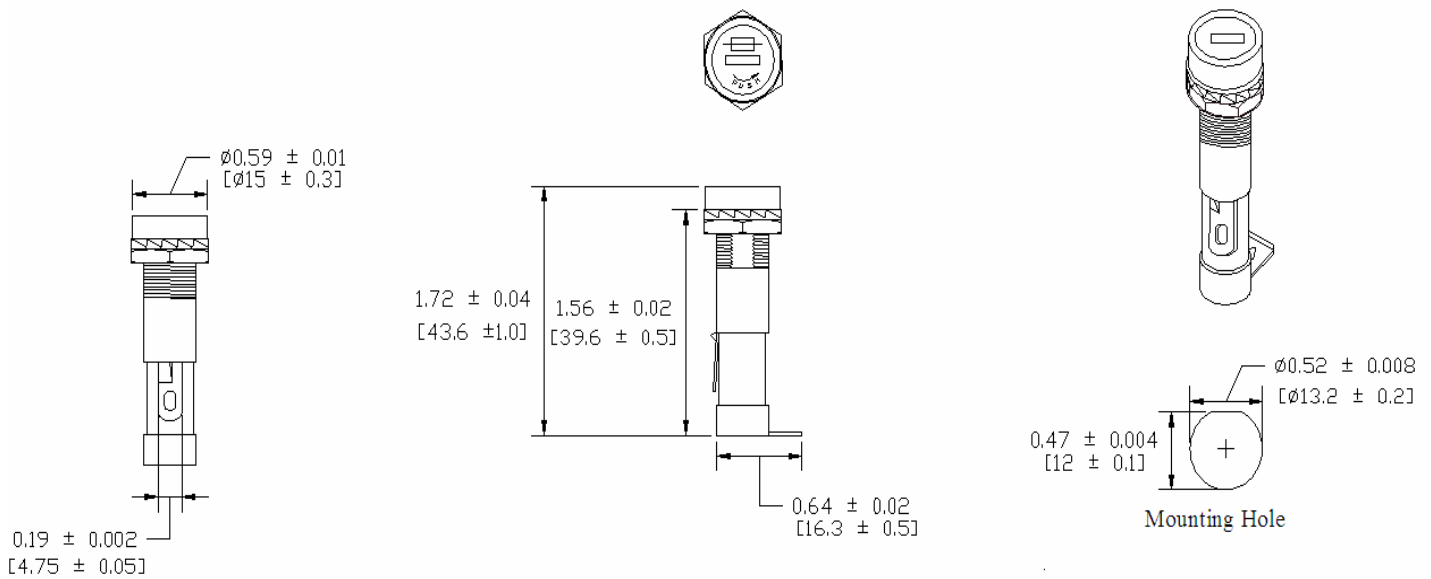
**Terminal:** Solder/Quick-Connect – 4.8mm/0.187"

**Panel Thickness:** 0.5 ~ 4.5mm

**Agency Standards and Listings:**



**Product Dimensions: Inches [mm]**



**Warning:**



- Operation beyond the specified maximum ratings or improper use may result in damage and possible electrical arcing and/or flame.
- Fuse Holders are not intended for circuit disconnect. All power should be disconnected before removing fuse.
- Avoid contact of Fuse Holder with chemical solvent. Prolonged contact may damage the device performance.