

Type PMA-KB-03-Q2S (formerly PKA-02)
Panel Mount Fuse Holder
1/4" x 1 1/4" (6.3 x 32mm) Fuses
Knob / Bayonet



www.optifuse.com

(619) 593-5050

Electrical Rating: 10A, 250V AC

Fuse Style: 1/4" x 1 1/4" (6.3 x 32mm)

Material:

Frame and Cap: Phenolic (UL flame: 94V-1)

Terminals: Nickel-plated brass

Cap: Knob type, Bayonet type

Max. Operating Temperature: 150°C

Mounting: by nut

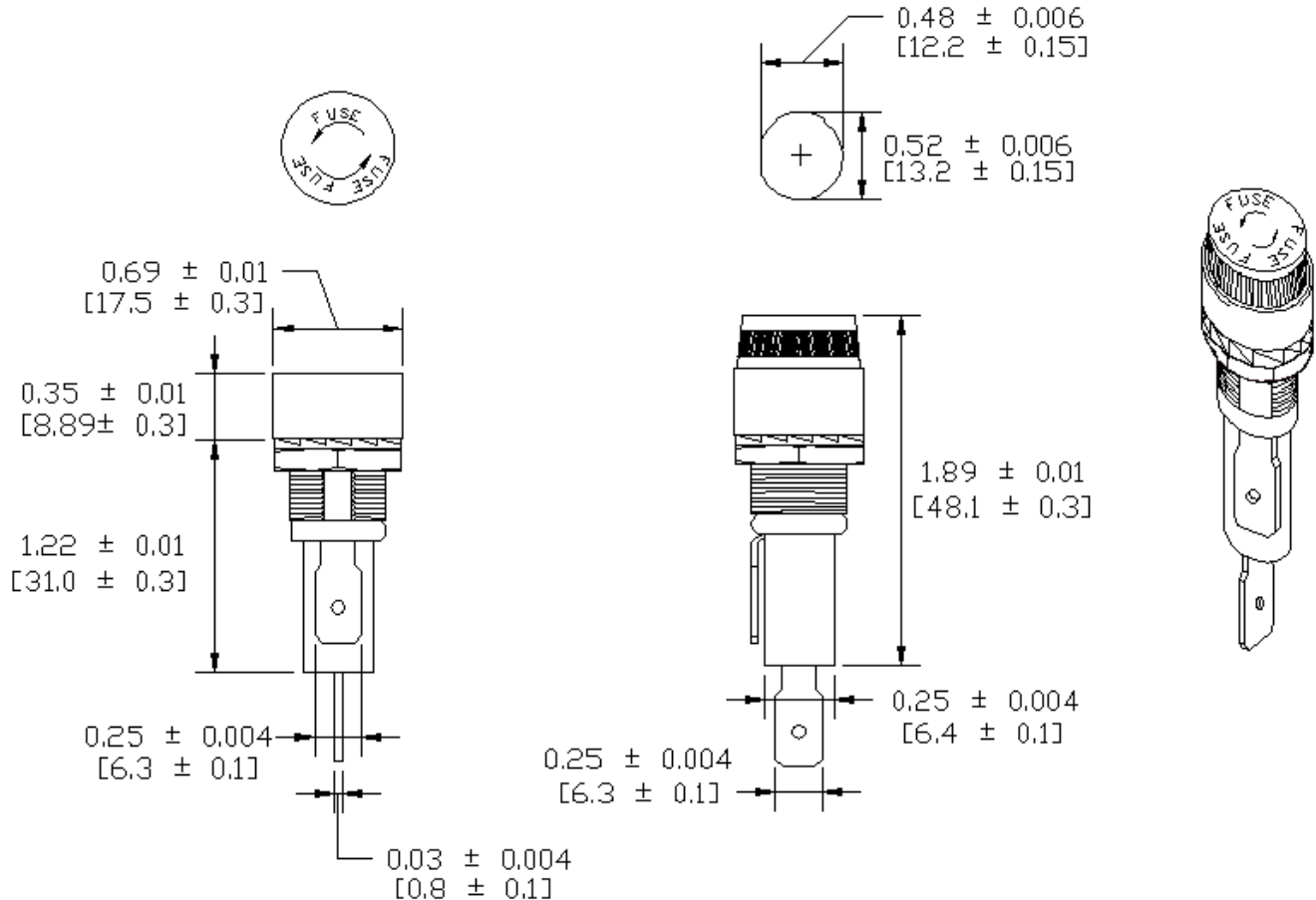
Terminal: Solder/Quick-Connect 6.4mm / 0.250"

Panel Thickness: 0.5 ~ 6.5mm

Agency Standards and Listings:



Product Dimensions: Inches [mm]



Warning:



- Operation beyond the specified maximum ratings or improper use may result in damage and possible electrical arcing and/or flame.
- Fuse Holders are not intended for circuit disconnect. All power should be disconnected before removing fuse.
- Avoid contact of Fuse Holder with chemical solvent. Prolonged contact will damage the device performance.

Note: All specifications subject to change without notice.

Rev D 09/2025 - Page:
1/1 Code S02