

**Type PMA-LS-AC1-Q2S**  
**Panel Mount Fuse Holder**  
**1/4" x 1 1/4" (6.3 x 32mm) Fuses**  
**LED Warning Light / Screw**



www.optifuse.com (619) 593-5050

**Electrical Rating:** 20A, 250V AC  
**Fuse Style:** 1/4" x 1 1/4" (6.3 x 32mm)

**IP Rating:** IP66

**Material:**

**Frame:** Phenolic (UL flame: 94V-1)

**Cap:** Polycarbonate (UL flame: 94V-2)

**Terminals:** Silver-plated copper

**Cap:** LED Warning Light type, Screw type

**LED** indicates when fuse is burned.

**Mounting:** by nut

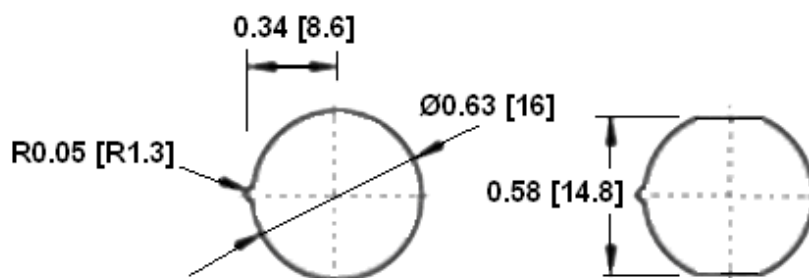
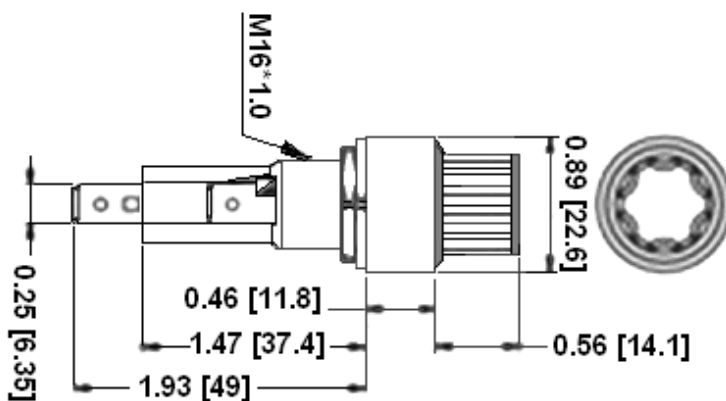
**Terminal:** Solder/Quick-Connect 6.4mm / 0.250"

**Panel Thickness:** 0.5 ~ 10.0mm

**Agency Standards and Listings:**



**Product Dimensions: Inches [mm]**



**Mounting Holes**

**Warning:**



- Operation beyond the specified maximum ratings or improper use may result in damage and possible electrical arcing and/or flame.
- Fuse Holders are not intended for circuit disconnect. All power should be disconnected before removing fuse.
- Avoid contact of Fuse Holder with chemical solvent. Prolonged contact may damage the device performance.