

Type PMC-DB-02-Q1S

Panel Mount Fuse Holder

5 x 20 mm Fuses

Driver / Bayonet



www.optifuse.com

(619) 593-5050

Electrical Rating: 15A, 250V AC

Fuse Style: 5 x 20mm

Material:

Frame: Phenolic (UL flame: 94V-1)

Cap: PBT (UL flame: 94V-0)

Terminals: Tin-plated brass

Cap: Slotted Driver type, Bayonet type

Mounting: by nut

Terminal: Solder/Quick-Connect 4.8mm / 0.187"

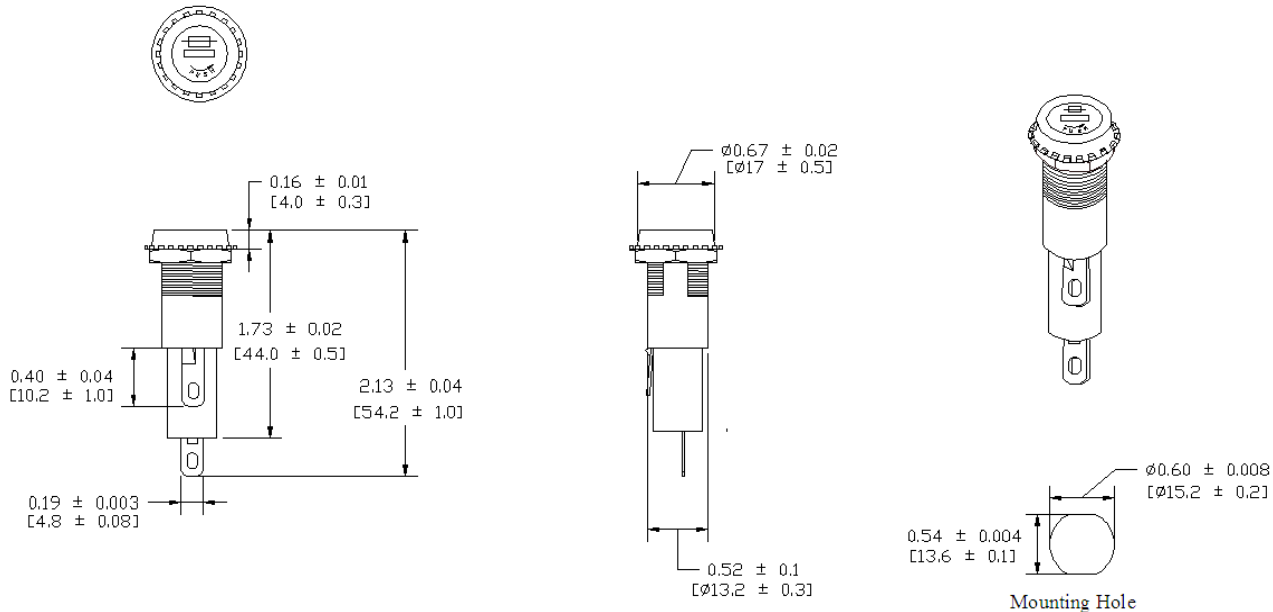
Panel Thickness: 0.5 ~ 4mm

Operating Temperature: -20°C ~ 85°C

Agency Standards and Listings:



Product Dimensions: Inches [mm]



Warning:



- Operation beyond the specified maximum ratings or improper use may result in damage and possible electrical arcing and/or flame.
- Fuse Holders are not intended for circuit disconnect. All power should be disconnected before removing fuse.
- Avoid contact of Fuse Holder with chemical solvent. Prolonged contact may damage the device performance.