

**Type PMC-DS-01-SOS (formerly PDC-01)**  
**Panel Mount Fuse Holder**  
**5 x 20mm**  
**Driver / Screw**



www.optifuse.com (619)-593-5050

**Electrical Rating:** 10A, 250V AC

**Fuse Style:** 5 x 20mm

**Material:**

**Body:** Nylon

**Terminals:** Nickel-plated copper alloy; terminal, solder type, straight terminal

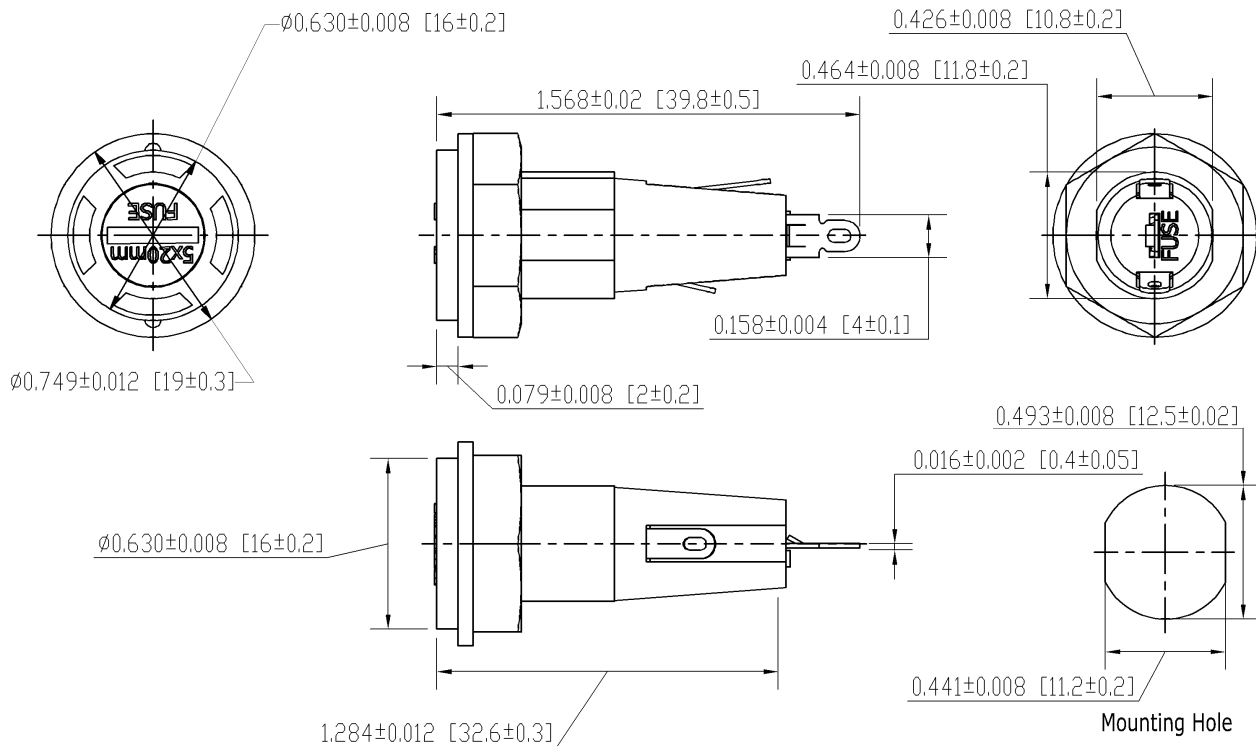
**Mounting:** Nylon hex nut-rear panel

**Cap:** Slotted Driver type, Screw type

Nickel-plated copper alloy insert

**Terminal:** Solder tab - 4.00mm / 0.156"

**Product Dimensions: Inches [mm]**



**Warning:**



- Operation beyond the specified maximum ratings or improper use may result in damage and possible electrical arcing and/or flame.
- Fuse Holders are not intended for circuit disconnect. All power should be disconnected before removing fuse.
- Avoid contact of Fuse Holder with chemical solvent. Prolonged contact will damage the device performance.