

**Type PMC-DS-05-SOR (formerly PDC-02)**  
**Panel Mount Fuse Holder**  
**5 x 20 mm Fuses**  
**Driver / Screw**



www.optifuse.com (619) 593-5050

**Electrical Rating:** 10A, 250V AC

**Fuse Style:** 5 x 20mm

**Material:**

**Frame and Cap:** Phenolic (UL flame: 94V-2)

**Terminals:** Tin-plated brass

**Cap:** Slotted Driver type, Screw type

**Mounting:** by nut

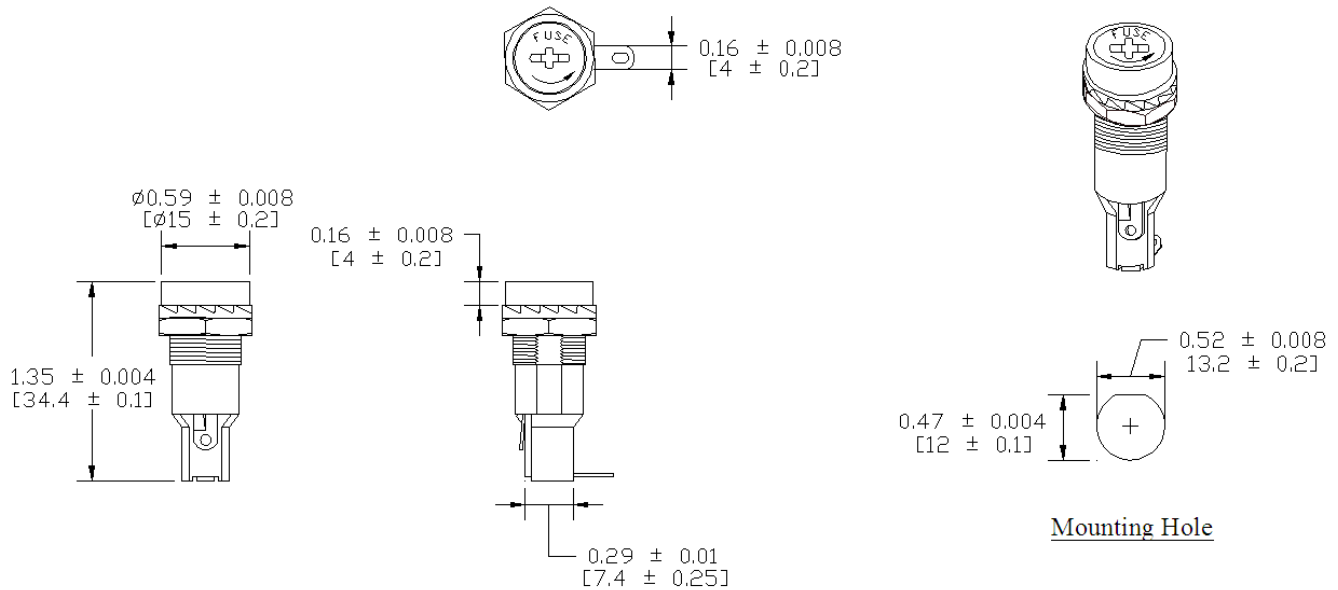
**Terminal:** Solder 4.00mm / 0.156"

**Panel Thickness:** 4.5mm MAX

**Agency Standards and Listings:**



**Product Dimensions: Inches [mm]**



**Warning:**



- Operation beyond the specified maximum ratings or improper use may result in damage and possible electrical arcing and/or flame.
- Fuse Holders are not intended for circuit disconnect. All power should be disconnected before removing fuse.
- Avoid contact of Fuse Holder with chemical solvent. Prolonged contact may damage the device performance.