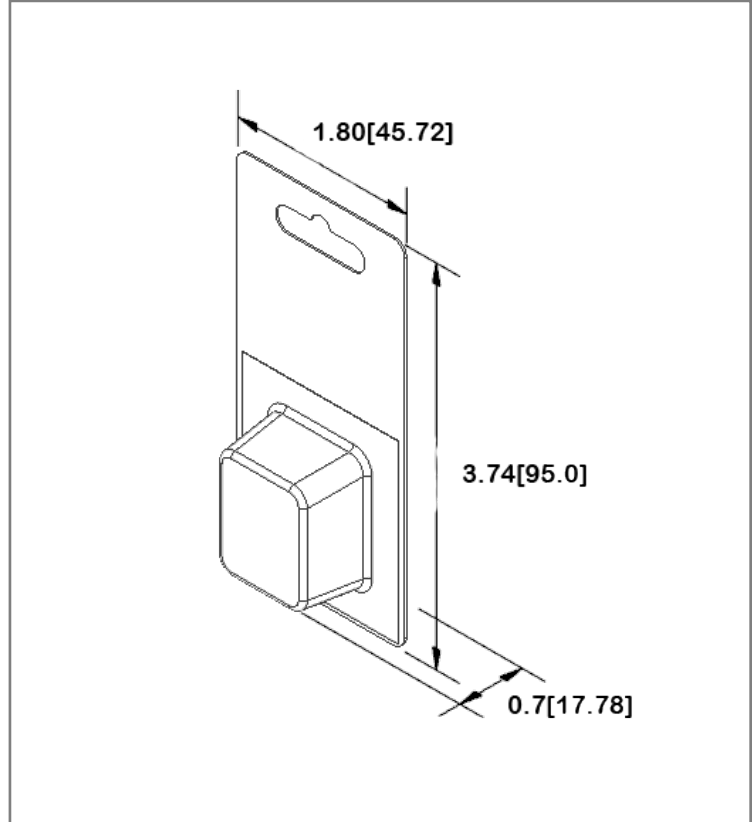
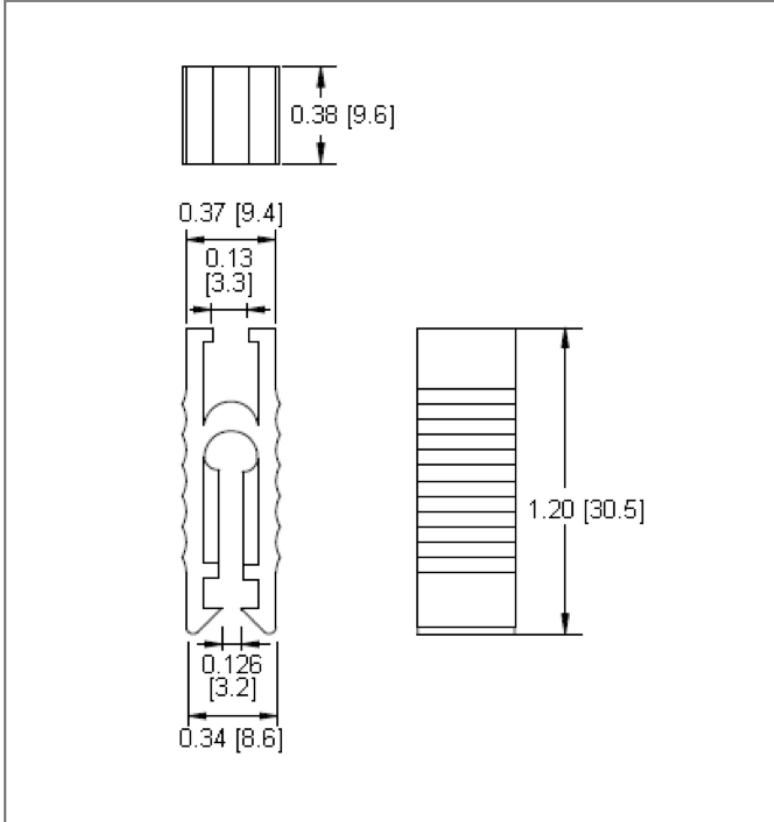


Mechanical Dimensions: Inches [mm]

Retail Pack: Inches [mm]



Part Numbers Information

Bulk Part #	Retail Pack #	Pack Size
PUL-07	PUL-07-BP	1

Specifications

Body Material	ABS
	For use with APR and ANR Regular (ATO/ATC Style) Blade Fuses
	For use with ANM and APM (Miniature) Blade Fuses
	For Use With ANS and APS (Low Profile, Miniature) Blade Fuses

Rev	Date of issue	Revision Notes	Designed	Approved
A	01-05-2024	Initial Drawing	RC	OF