

Type SSC Short Stop Cover



www.optifuse.com

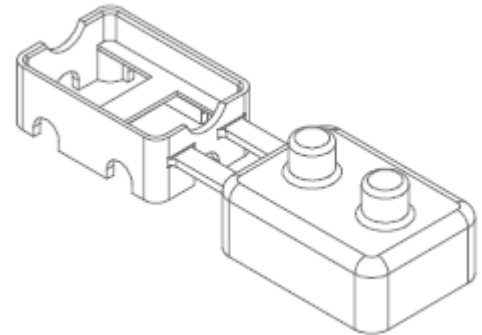
(619) 593-5050

Specifications:

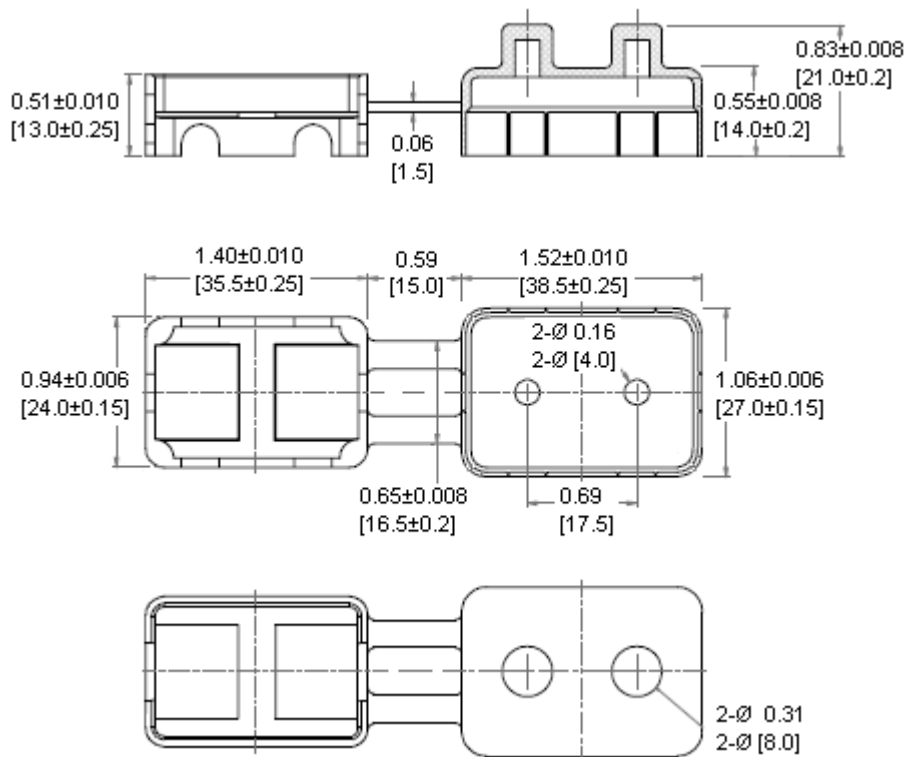
Material: PVC (UL rating is 94-V1)

Color: Red

Protection to Circuit Breakers' Terminals: IP40



Mechanical Dimensions: Inches [mm]



Note: All specifications subject to change without notice.

Rev B 08/2021 - Page: 1/1
Code K01

Type SSC-B Short Stop Cover



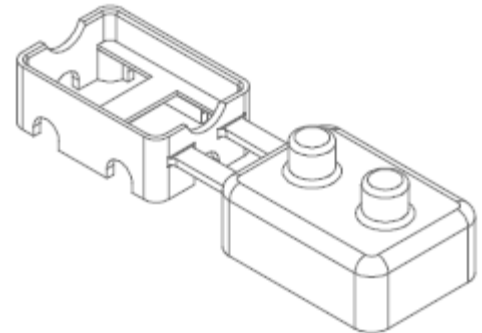
www.optifuse.com

(619) 593-5050

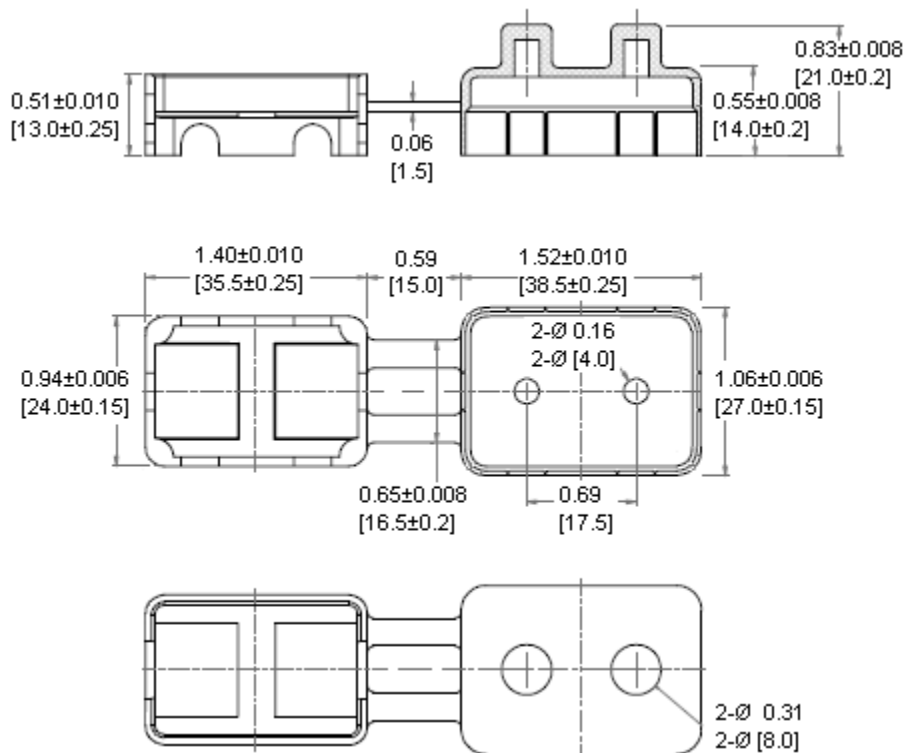
Specifications:

Material: PVC (UL rating is 94-V1)

Color: Black



Mechanical Dimensions: Inches [mm]



Note: All specifications subject to change without notice.

Rev A 08/2016 - Page: 1/1
Code K01-01H